

Thank you for purchasing this TradeQuip product. Manufactured to a high standard this product will, if used according to these instructions and properly maintained, give you years of trouble free performance.



IMPORTANT: PLEASE READ THESE INSTRUCTIONS CAREFULLY. NOTE THE SAFE OPERATIONAL REQUIREMENTS, WARNINGS & CAUTIONS. USE THE PRODUCT CORRECTLY AND WITH CARE FOR THE PURPOSE FOR WHICH IT IS INTENDED. FAILURE TO DO SO MAY CAUSE DAMAGE AND/OR PERSONAL INJURY, AND WILL INVALIDATE THE WARRANTY. PLEASE KEEP INSTRUCTIONS SAFE FOR FUTURE USE.

1. SAFETY INSTRUCTIONS

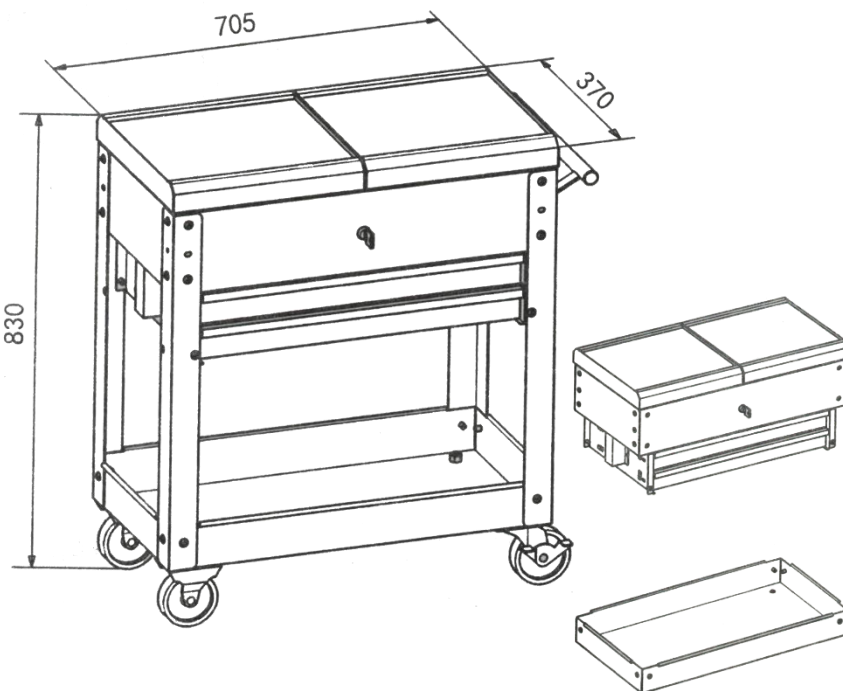


- Only use this Workshop Tool Trolley for the purpose for which it has been designed.
- Do not modify any component of this Workshop Tool Trolley.
- When servicing, use only TradeQuip identical replacement parts. Use of any other parts will void the warranty.
- Safe Working Capacity 100kg
- Each Drawer Capacity is 8kg
- Upper Tray Capacity is 40kg
- Bottom Tray Capacity is 40kg
- Do not open more than 1 drawer at a time to avoid tipping of Workshop Tool Trolley.
- Do not put/rest a heavy load on an open drawer
- This product is intended for indoor use only.

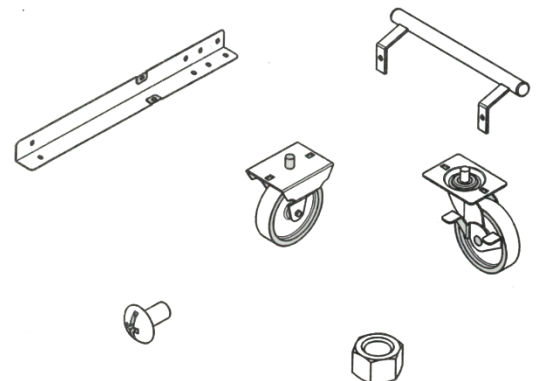
2. CONTENTS & SPECIFICATIONS

- Safe Working Capacity 100kg
- Drawer Capacity (each) 8kg
- Upper Tray Capacity 40kg
- Lower Tray Capacity 40kg

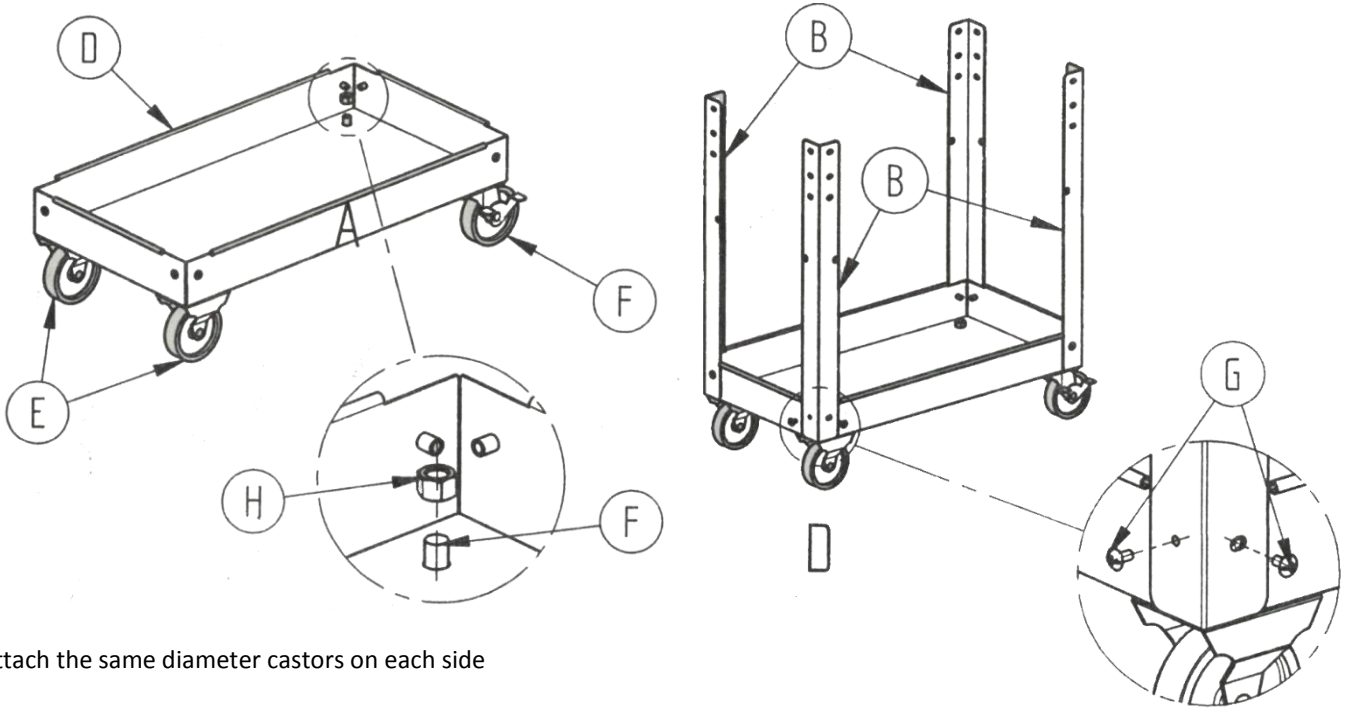
3. PARTS LIST



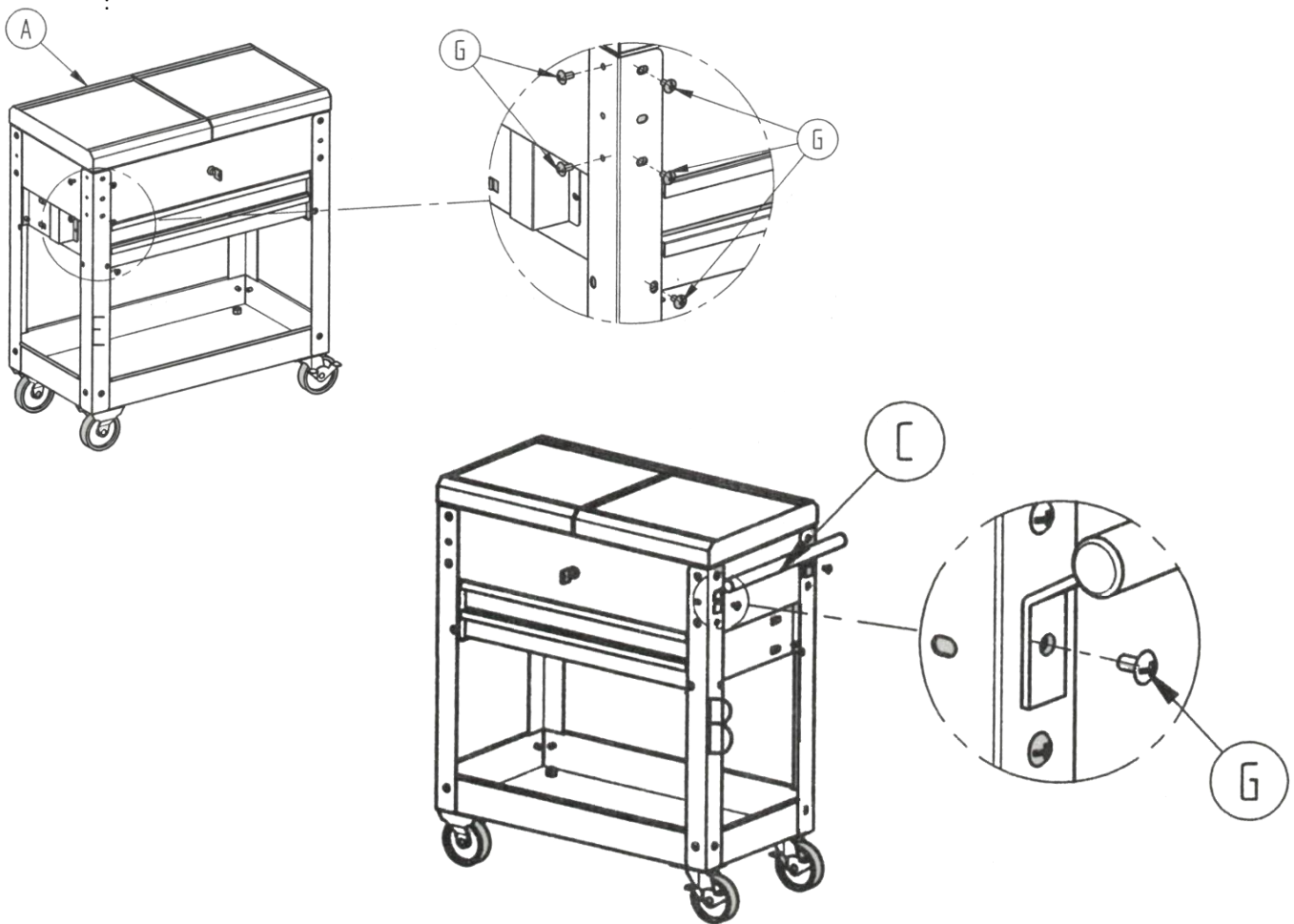
Part #	Description	QTY
A	Upper Tray with Liner	1
B	Legs	4
C	Handle	2
D	Lower Tray	1
E	Castors w/brake	2
E	Castors	2
F	Bolts	33
G	Drawer Set	1
H	Nuts	33



4. ASSEMBLY INSTRUCTIONS



Attach the same diameter castors on each side



Attach handles to sides