



OWNER'S MANUAL

PRODUCT CODE: 1014T

STEEL WORKBENCH



Product Code	Safe Working Capacity	Work Surface	Raised Edge Height	Dimensions L x H x W (mm)
1014T	90kg	1500 x 700mm	50mm	1520(L) x 740(W) x 830(H)mm

WARNING

IMPORTANT: READ ALL INSTRUCTIONS BEFORE USE



WARNING

The instructions and warnings contained in this manual should be read and understood before use of this workbench.

Whilst every effort has been made to ensure accuracy of information contained in this manual, the TQB Brands Pty Ltd policy of continuous improvement determines the right to make modifications without prior warning.

CONTENT

WARNING	2
CONTENT	2
SAFETY INSTRUCTIONS	3
ASSEMBLY INSTRUCTIONS.....	4
PARTS LIST	5
WARRANTY	6

SAFETY INSTRUCTIONS



SAFETY OPERATING INSTRUCTIONS

- Always distribute objects evenly in the workbench.
- Do not lean or climb onto the workbench.
- Only use this workbench for the purpose for which it has been designed.
- Do not modify any component of this workbench.
- When servicing, use only TradeQuip identical replacement parts. Use of any other parts will void the warranty.
- Use the right product for the job. There are certain applications for which the workbench was designed. Do not modify the workbench and do not use the workbench for a purpose for which it was not intended.
- This product is intended for indoor use only.

ASSEMBLY INSTRUCTIONS

1. FEATURES

This *TradeQuip "Made for the Trade"* Heavy duty steel construction Workbench is specifically designed for professional workshop. It is manufactured from high quality, heavy-duty steel and features a large surface for more work space, with an extended lip around the surface of the table. The tough high gloss enamel paint finish is designed to provide years of protection against normal wear and tear.

2. BEFORE USE

Prior to each use conduct a visual inspection by checking for abnormal conditions, such as cracked joints and damaged, loose, or missing parts.

3. ASSEMBLY

Unpacking: after removing the packing material, make sure the product is in perfect condition and that there are no visible damaged parts. The packaging materials (Polyethylene bags, polystyrene etc.), must be disposed of in an appropriate refuse collection container. These materials must not be left within the reach of children as they are potential sources of danger.

4. MAINTENANCE

- Regularly wipe dirt and grime from surface with a soft cloth.
- Check all fittings are tight before each use.

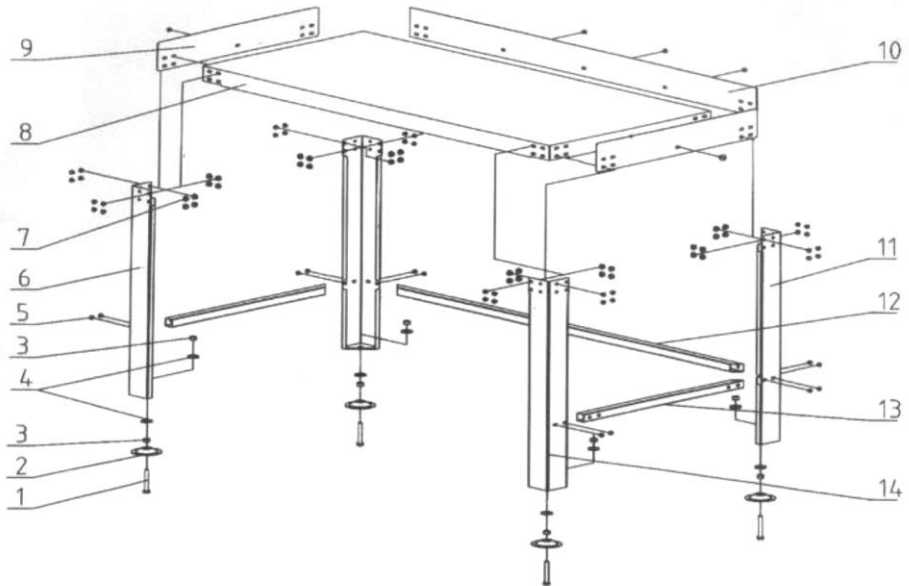
5. SERVICE & REPAIR

Any Workbench found damaged in any way, or found to be worn or operates abnormally should be removed from service until repaired by an authorised service agent. Owners and / or operators should be aware that repair of this product may require specialised equipment and knowledge. Only authorised parts, labels and decals shall be used on this equipment. Annual inspection of the Workbench is recommended and can be made by an authorised repair facility to ensure that your equipment is in optimum condition and that the equipment has the correct decals and safety labels specified by the manufacturer.

PARTS LIST

Part #	Description	QTY
1	Bolt	4
2	Support Washer Plate	4
3	Screw	12
4	Flat Washer	8
5	Hex Screw	49
6	Front-Left Leg	1
7	Flange Surface Screw	32

Part #	Description	QTY
8	Table Plate	1
9	Side Plate	2
10	Rear Plate	1
11	Rear Leg	2
12	Rear Pipe	1
13	Side Pipe	2
14	Front Right Leg	1



WARRANTY

TradeQuip products have been carefully tested and inspected before shipment and are guaranteed to be free from defective materials and workmanship for a period of 12 months from the date of purchase except where tools are hired out when the guarantee period is ninety days from the date of purchase.

Should this piece of equipment develop any fault, please return the complete tool to your nearest authorised warranty repair agent or contact TQB Brands Pty Ltd Warranty team – warranty@tqbbrands.com.au.

If upon inspection it is found that the fault occurring is due to defective materials or workmanship, repairs will be carried out free of charge. This guarantee does not apply to normal wear and tear, nor does it cover any damage caused by misuse, careless or unsafe handling, alterations, accident, or repairs attempted or made by any personnel other than the authorised TQB Brands Pty Ltd repair agent.

This guarantee applies in lieu of any other guarantee expressed or implied and variations of its terms are not authorised.

Your TQB Brands Pty Ltd guarantee is not effective unless you can produce upon request a dated receipt or invoice to verify your proof of purchase within the 12month period.

Consumer Guarantee

Our goods come with a guarantee that cannot be excluded under the Australian Consumer Law. You are entitled to a replacement or refund for a major failure and compensation for any other reasonably foreseeable loss or damage. You are also entitled to have the goods repaired or replaced if the goods fail to be of acceptable quality and the failure does not amount to a major failure.

