

Superior quality since
1984

Owners Manual

10,000KG SUPPORT STAND

BORUM

INDUSTRIAL WORKSHOP EQUIPMENT

**INDUSTRIAL
QUALITY**



Specifications

- Safe Working Capacity: 10,000kg
- Maximum Height: 1190mm
- Minimum Height: 720mm
- Adjustable Pin Heights: 10
- Saddle Dimensions: 150 x 80mm
- Base Dimensions: 406 x 556mm
- Nett Weight: 23.5kg
- Carton: 450 x 450 x 800mm
- Weight: 26.4kg

About the Borum brand

Our “**heavy duty commercial**” range of **Borum Industrial** equipment has been manufactured to exacting standards for the past **34 years**. We specify industrial quality components and design to ensure a long and durable working life in **commercial transport, mining, earthmoving and railway** environments. Our **Borum Industrial** range of equipment is focused on achieving superior professional standards, reliability, quality, and are covered by a **12 month trade use warranty**.

WARNING INFORMATION



IMPORTANT: READ ALL INSTRUCTIONS BEFORE USE



WARNING

The instructions and warnings contained in this manual should be read and understood before using or operating this equipment. Do not allow anyone to use or operate this equipment until they have read this manual and have developed a thorough understanding of how this equipment works. Failure to observe any of the instructions contained in the manual could result in severe personal injury to the user or bystanders, or cause damage to the equipment and property. Keep this manual in a convenient and safe place for future reference.

The warnings, cautions and instructions discussed in this instruction manual cannot cover all possible conditions and situations that may occur. It must be understood by the operator that common sense and caution are factors which cannot be built into this product, but must be supplied by the operator.

Whilst every effort has been made to ensure accuracy of information contained in this manual, the Borum policy of continuous improvement determines the right to make modifications without prior warning.

CONTENTS

WARNING INFORMATION	1
STANDARD OPERATING PROCEDURE	2
ASSEMBLY, OPERATION, PREVENTITIVE MAINTENANCE.....	3
PARTS DIAGRAM & PARTS LIST.....	5
WARRANTY.....	6

STANDARD OPERATING PROCEDURE

DO NOT use this machine unless you have been trained and assessed to a competent level in its safe use and operation, and have been given permission to use this



Safety glasses must be worn when operating this equipment



Long loose hair must be contained when operating this equipment



Safety footwear must be worn when operating this equipment



Close fitting/protective clothing must be worn when operating this equipment

PRE-OPERATIONAL SAFETY CHECKS

1. The maximum load is 10,000kg. DO NOT exceed this rated capacity.
2. Study, understand, and follow all instructions before operating this device.
3. Retain these instructions for future reference.
4. The equipment described in this manual could be potentially dangerous if improperly or carelessly operated. For the protection of all persons and equipment, only competently trained operators who are critically aware of the proper operating procedures, potential dangers, and specific application of this equipment should be allowed to use this equipment at any time.
5. Because of potential hazards associated with this type of equipment, no alterations shall be made to this product.
6. Failure to heed all warnings contained in this manual may result in personal injury and/or property damage.
7. All warranties applicable to this equipment are contingent on strict adherence to the operation and maintenance procedures in this manual.

OPERATIONAL SAFETY CHECKS

1. Do not exceed rated capacity. Overloading can cause damage to or failure of the stand.
2. Use stands on hard level surface capable of sustaining the load.
3. Use on other than hard level surfaces may result in possible loss of load.
4. Centre load on saddle
5. Use as a matched pair.
6. This stand is not to be used to simultaneously support both ends of a vehicle.
7. Support only on the areas of a vehicle as specified by the vehicle manufacturer.
8. Only use attachments and/or adaptors supplied by the manufacturer.
9. Use wheel chocks and/or other blocking device on opposing wheels before using this support stand.
10. Do not use if damaged in any way.
11. Failure to heed all warnings contained in this manual may result in personal injury and/or property damage.

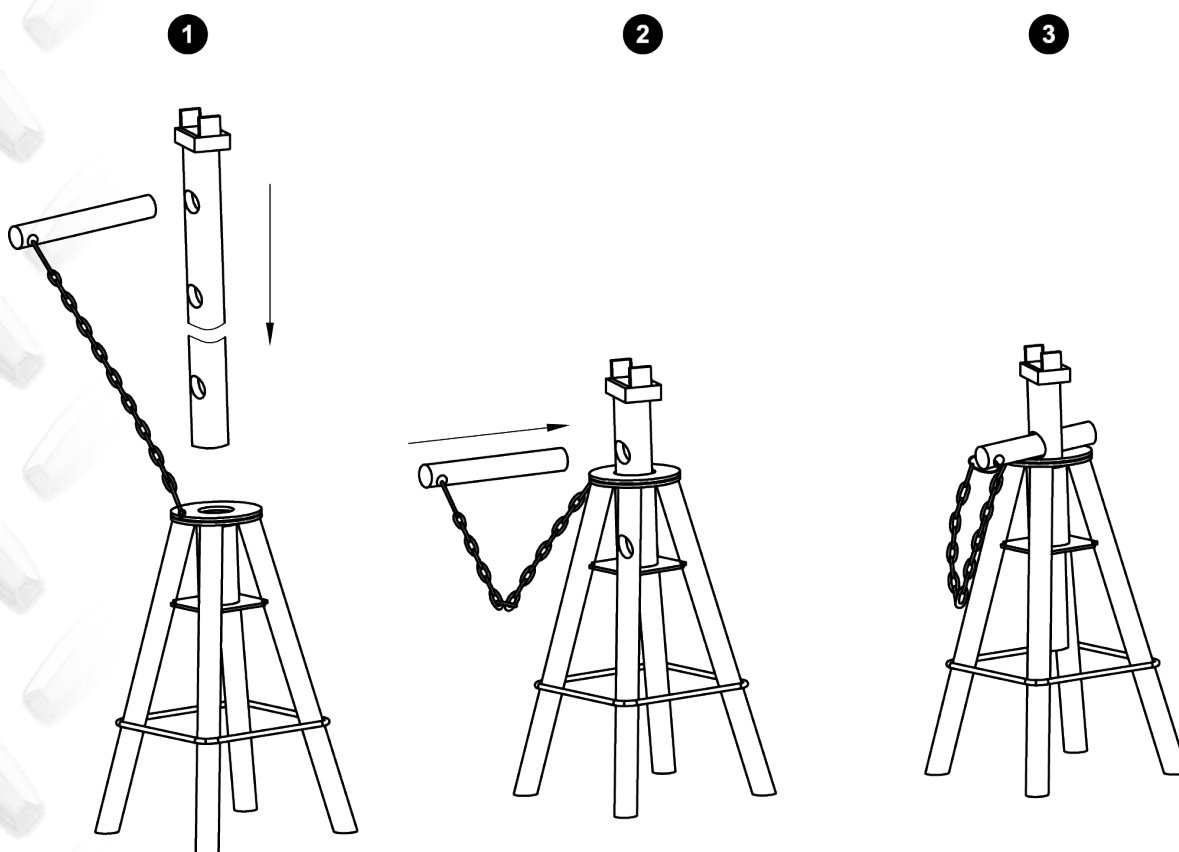
ASSEMBLY, OPERATION, PREVENTITIVE MAINTENANCE

1. FEATURES & MODELS

The **BORUM Industrial** Heavy Duty Support Stand is a reinforced pin style stand with industrial quality design and support bracing system to sustain heavy loads up to 10,000kg. Adjusts to match the job with a 720mm minimum lift height and 1190mm maximum lift height!! Featuring Heavy-Duty Industrial design, these tough support stands are ideal for truck, bus, farm, earthmoving equipment and fleet vehicle maintenance workshop use.

2. ASSEMBLY INSTRUCTIONS

Before beginning assembly of product, make sure all parts are present. Compare parts with package contents list and diagram below. If any part is missing or damaged, do not attempt to assemble, install or operate the product. Contact your place of purchase.



3. BEFORE USE

1. Make initial inspection of support stand before each use. DO NOT use if components are bent, broken or cracked. Ensure all parts move freely.
2. Verify that the product and the application are compatible.
3. Before using this product, thoroughly read this owner's manual and familiarise yourself with the product and the hazards associated with improper use.
4. Always check the vehicle owners or service manual for location of proper lift and support points.

4. OPERATION



Never use this truck support stand to support both ends and/or one side of a vehicle! Use only as a pair per vehicle.

1. Borum Truck Support Stand is designed to support a rated capacity, partial vehicle loads consisting of one end of a vehicle. Use as a matched pair to support one end of a vehicle only.
2. Do not exceed the rated Safe Working Capacity. Overloading can cause damage to, or failure of the support stand.
3. This Borum Truck Support Stand is designed for use on a hard level surface capable of sustaining the load.
4. Position this Borum Truck Support Stand to only support on the areas of the vehicle as specified by the vehicle manufacturer.
5. Always support the load on a support stand immediately after lifting the vehicle with appropriate lifting equipment and before working on or under the vehicle.
6. Always centre load on saddle prior to lowering load on to this support stand.
7. Always lower load slowly with care.
8. Do not raise or lower the vehicle unless tools, materials and people are clear. When the load is being lowered, make sure everyone is standing at least 2metres away. Be sure there are no tools or equipment left under or around before lowering.
9. Always lower load slowly with care.
10. Wear approved safety personal protective equipment and steel cap footwear during use.
11. Do not move or rock vehicle load whilst this Borum Truck Support Stand is supporting the load.
12. Stay alert. Use caution and common sense when working with this Borum Truck Support Stand.
13. Do not use when tired, incoherent, dizzy, under the use or drugs or alcohol.

Training -Read this manual before use. Do not allow anyone who has not read this manual, and/or does not understand the requirements, use the equipment.

Spectators -Do not allow bystanders around this Borum Truck Support Stand or under the load supported only by this Borum Truck Support Stand. Do not allow anyone in the vehicle whilst this Borum Truck Support Stand is in use. Keep all bystanders away from vehicle when in use.

Positioning Load

1. Adjust saddle height by pulling up the extension tube, then insert the locking pin through the hole on extension tube.
2. Ensure that locking pin is secured before loading. Insert locking pin into the extension tube far enough to create equal distance of pin extending from the extension tube on both sides.
3. Carefully position support stand, so that load is centered on the support stand saddle.
4. Slowly lower the vehicle onto the support stand.
5. Check to ensure vehicle is secured before working on, around or under. Use wheel chocks on all un-lifted wheels in both directions to prevent inadvertent movement.

Lowering Load

1. **WARNING:** Clear all tools and personnel before lowering load.
2. With a suitable lifting device, raise vehicle clear of the support stand.
3. Carefully release the locking pin and allow extension tube to glide down to its lowest position.
4. Carefully remove the support stand, then carefully lower vehicle with the lifting device.

5. MAINTENANCE

This product shall be maintained in accordance with the following;

1. Periodically inspect each support stand. Ensure all parts move freely.
2. DO NOT apply oil or grease to any portion of this product.
3. If rust appears, sand affected are and recover with a suitable primer and paint.

6. INSPECTION

- Prior to each, use conduct a visual inspection checking for abnormal conditions, such as cracked welds, metal fatigue and/or damaged, loose, or missing parts.

7. STORAGE

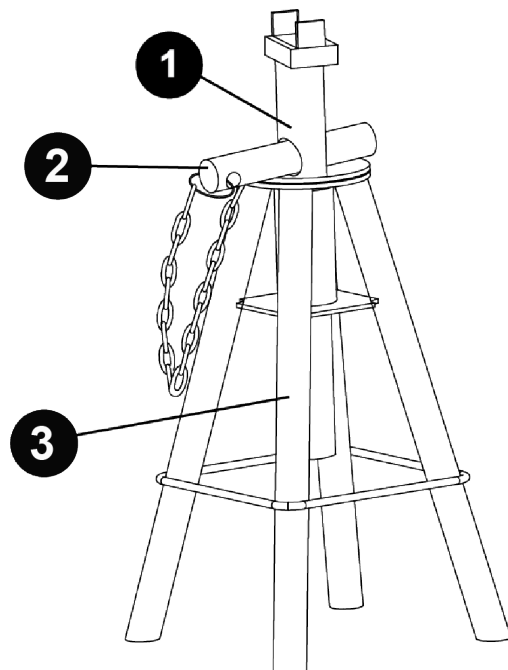
This Borum Truck Support Stand should always be stored clean, in an upright position and in a dry area undercover.

8. SERVICE & REPAIR

Any Borum Truck Support Stand found damaged in any way, or found to be worn or operates abnormally should be removed from service until repaired by an authorised service agent. Owners and / or operators should be aware that repair of this product may require specialised equipment and knowledge. Only authorised parts, labels, decals shall be used on this equipment. Annual inspection of the support stand is recommended and can be made by an authorised repair facility to ensure that your equipment is in optimum condition and that the equipment has the correct decals and safety labels specified by the manufacturer.

PARTS DIAGRAM & PARTS LIST

Part	Description	QTY
1	Adjustable Extension Tube	1
2	Locking Pin	1
3	Base Frame	1



NOTE: Not all components of the support stands are replacement items but are illustrated as a convenient reference of location and position in the assembly sequence.

WARRANTY

BORUM Industrial products have been carefully tested and inspected before shipment and are guaranteed to be free from defective materials and workmanship for a period of 12 months from the date of purchase except where tools are hired out when the guarantee period is ninety days from the date of purchase.

Should this piece of equipment develop any fault, please return the complete tool to your nearest authorised warranty repair agent or contact TQB Brands Pty Ltd Warranty team – warranty@tqbbrands.com.au.

If upon inspection it is found that the fault occurring is due to defective materials or workmanship, repairs will be carried out free of charge. This guarantee does not apply to normal wear and tear, nor does it cover any damage caused by misuse, careless or unsafe handling, alterations, accident, or repairs attempted or made by any personnel other than the authorised TQB Brands Pty Ltd repair agent.

This guarantee applies in lieu of any other guarantee expressed or implied and variations of its terms are not authorised.

Your TQB Brands Pty Ltd guarantee is not effective unless you can produce upon request a dated receipt or invoice to verify your proof of purchase within the 12month period.

Consumer Guarantee

Our goods come with a guarantee that cannot be excluded under the Australian Consumer Law. You are entitled to a replacement or refund for a major failure and compensation for any other reasonably foreseeable loss or damage. You are also entitled to have the goods repaired or replaced if the goods fail to be of acceptable quality and the failure does not amount to a major failure.



All images and illustrations shown are for reference purposes only. All information, specifications and illustrations in this manual are based on the latest information available at the time of publication and are subject to change without notice. The information in this manual is periodically revised to ensure the latest information is included. Download the latest version of this manual and other related technical documentation from www.tqbbrands.com.au