

Owners Manual

Product Code: 2036T

**MADE FOR THE
TRADE**

TQ TRADEQUIP
the trusted brand in equipment

HYDRAULIC WORKSHOP PRESS



Specifications:

- Safe Working Capacity: 45,000kg
- Working Range: 159-859mm
- Total Height: 1707mm
- Total Width: 1106mm
- Depth: 826mm
- Bed Outside: 359mm
- Bed Inside: 195mm
- Bed Width: 826mm
- Ram Stroke: 190mm
- Ram Diameter: 90mm
- Nett Weight: 296kg
- Carton: 1040x390x1900mm
- Gross Weight: 335kg

About the TradeQuip brand

The 'TradeQuip' brand of workshop equipment, is designed for use in a demanding workshop environment by professional users. With proven and trusted "Made for the Trade" reliability, 'TradeQuip' branded products offer the very best in performance for an affordable price. All backed by a 1year trade guarantee across 1,000+ distributors Australia wide.

TQ TRADEQUIP
the trusted brand in equipment

TQPRO
Trusted by serious professionals

BORUM
INDUSTRIAL WORKSHOP EQUIPMENT

WARNING**IMPORTANT: READ ALL INSTRUCTIONS BEFORE USE** **WARNING**

The instructions and warnings contained in this manual should be read and understood before using or operating this equipment. Do not allow anyone to use or operate this equipment until they have read this manual and have developed a thorough understanding of how this equipment works. Failure to observe any of the instructions contained in the manual could result in severe personal injury to the user or bystanders, or cause damage to the equipment and property. Keep this manual in a convenient and safe place for future reference.

Whilst every effort has been made to ensure accuracy of information contained in this manual, the TQB Brands Pty Ltd policy of continuous improvement determines the right to make modifications without prior warning.

CONTENT

WARNING	2
CONTENT	2
STANDARD OPERATING PROCEDURE	3
ASSEMBLY, OPERATION, PREVENTITIVE MAINTENANCE	4
PARTS DIAGRAM.....	6
PARTS DIAGRAM LIST	7
PUMP PARTS DIAGRAM.....	8
PUMP PARTS LIST	9
CYLINDER PARTS DIAGRAM/LIST	10
WARRANTY	11

STANDARD OPERATING PROCEDURE

DO NOT use this machine unless you have been trained and assessed to a competent level in its safe use and operation, and have been given permission to use this



Safety glasses must be worn when operating this equipment



Long loose hair must be contained when operating this equipment



Safety footwear must be worn when operating this equipment



Close fitting/protective clothing must be worn when operating this equipment



Rings and jewellery must not be worn when operating this equipment

 **WARNING**

FAILURE TO READ THESE WARNINGS MAY RESULT IN PROPERTY DAMAGE & PERSONAL INJURY

PRE-OPERATIONAL SAFETY CHECKS

- Inspect the Air Hydraulic Workshop Press before each use. Do not use if bent, broken, cracked, leaking or otherwise damaged. Ensure all bolts and nuts are firmly tightened.
- Do not exceed the products rated maximum load capacity. Never apply excessive force to a work piece.
- Steel and other materials can shatter, always wear approved impact goggles, heavy duty work gloves and appropriate clothing.
- If you detect anything that may indicate imminent structural failure, stop using the hydraulic workshop press immediately and inspect thoroughly.
- Only use this air hydraulic workshop press on a surface that is stable, level, dry and non-slippery, and capable of sustaining the load. Keep the surface clean, tidy and free from unrelated materials and ensure that there is adequate lighting.
- Do not use this hydraulic workshop press to compress springs or any other item that could disengage and cause a potential hazard.
- Keep hands and feet away from bed area at all times.
- Do not modify any component of this equipment.
- Only use this device for the purpose for which it has been designed.
- When servicing, use only TradeQuip identical replacement parts. Use of any other parts will void the warranty.
- Use the right product for the job. There are certain applications for which the Hydraulic workshop press was designed. Do not modify the Hydraulic workshop press and do not use the Hydraulic workshop press for a purpose for which it was not intended.

Intended Use

For regular professional straightening, bending & pressing. Removing and installing gears, bearings and bushings.

ASSEMBLY, OPERATION, PREVENTITIVE MAINTENANCE**1. FEATURES**

The **TradeQuip** "Made for the Trade" 45,000kg Hydraulic Workshop Press is perfect for straightening, stamping, bending and pressing any component that is hard to handle. With its very wide 826mm bed width and 195mm inside bed gap this press becomes one of the most diverse Workshop Press in the TradeQuip range. The ram is powered by a manual two-speed pump, and the non-slip bed winch features a steel cable roller for easy raising and lowering of the press bed.

2. ASSEMBLY

Unpacking: after removing the packing material, make sure the product is in perfect condition and that there are no visible damaged parts. The packaging materials (Polyethylene bags, polystyrene etc.), must be disposed of in an appropriate refuse collection container. These materials must not be left within the reach of children as they are potential sources of danger.

1. Use the exploded parts drawing as your guide to assemble this press.
2. Identify and lay out all parts and assemblies before beginning.
3. Attach support brackets (3) and base supports (4) to left post using bolt (2), washers (5), lock washers (6) and nuts (7), then attach another to right post.
4. Insert bed frame pins (18) into the holes in the posts, then insert the working table (46) into press frame and onto bed frame pin.
5. Tighten and check all nuts and bolts.


WARNING! Take care not to allow the press platform to drop onto the pins and ensure your hands and fingers are clear of the press platform when lowering.

3. BEFORE USE

Prior to each use conduct a visual inspection by checking for abnormal conditions, such as cracked and damaged, loose, or missing parts.

Installation

1. Securely attach the press to a flat, firm, level surface taking into account clearance for working pieces.
2. Before operating the press, purge the hydraulic system in order to eliminate any air that may have built up during transit. Open the long release valve (P30) by turning the knob counter-clockwise
3. Insert and pump the pump handle (P51) several full strokes and close the release valve (P30).
4. Should the system malfunction at any time, repeating this process may resolve the problem.
5. Connect the workshop compressed air supply to air fitting (P45) and check for air leakage.

 **DANGER!** Models are purpose designed to withstand greater loads than the air hydraulic units can develop. For safety reasons, always ensure the workpiece and press tools are secured on the table and will not flex or suddenly "give way" causing danger to operator or the component. Also ensure you have read and understood safety instructions.

4. OPERATION

1. Check that the hydraulic unit is fully closed and ready for operation.
2. Position the working table at the required operating height by inserting the support pins into the corresponding holes in the main frame.
3. Position the press plates and/or press adaptor tools (available separately) to be used onto the work table and align beneath the ram. Place workpiece onto the work table or press plates and align beneath the ram as required. Note: Care must be taken to ensure press plates do not fall from the press work table. If necessary hold the configuration in position with clamps.
4. Close the release valve (P30) by turning the knob clockwise until firmly closed.
5. Connect the workshop compressed air supply to the air inlet fitting (P45).
6. Gently depress the foot pedal to pump air into the hydraulic system until the ram piston head is close to or just touches the workpiece.
7. Align the ram head and the workpiece to ensure safe centre loading.
8. Before applying real pressure to the workpiece recheck the alignment with the ram and ensure that the workpiece and press tools are supported in such a way that they cannot flex to breaking point.
9. Once the work is complete, release the pressure using the pump release valve (P30), then the ram piston will retract automatically.
10. Disconnect the compressed air supply from air fitting (P45).

When compressed air is not available

1. Operate the pump slowly with the pump handle (P51) until the ram is close to or just touching the workpiece.
2. Before applying real pressure to the workpiece recheck the alignment with the ram and ensure that the workpiece and press tools are supported in such a way that they cannot flex to breaking point.
3. When work is complete release the pressure using the pump release valve (P30), then the ram piston will retract automatically.

Note: Always keep the ram piston retracted after use to avoid corrosion.

5. STORAGE

This Air Hydraulic Workshop Press should always be stored;

1. In a dry and clean location free from dust
2. Disconnected from workshop compressed air lines
3. With the ram piston fully retracted
4. On a stable level surface

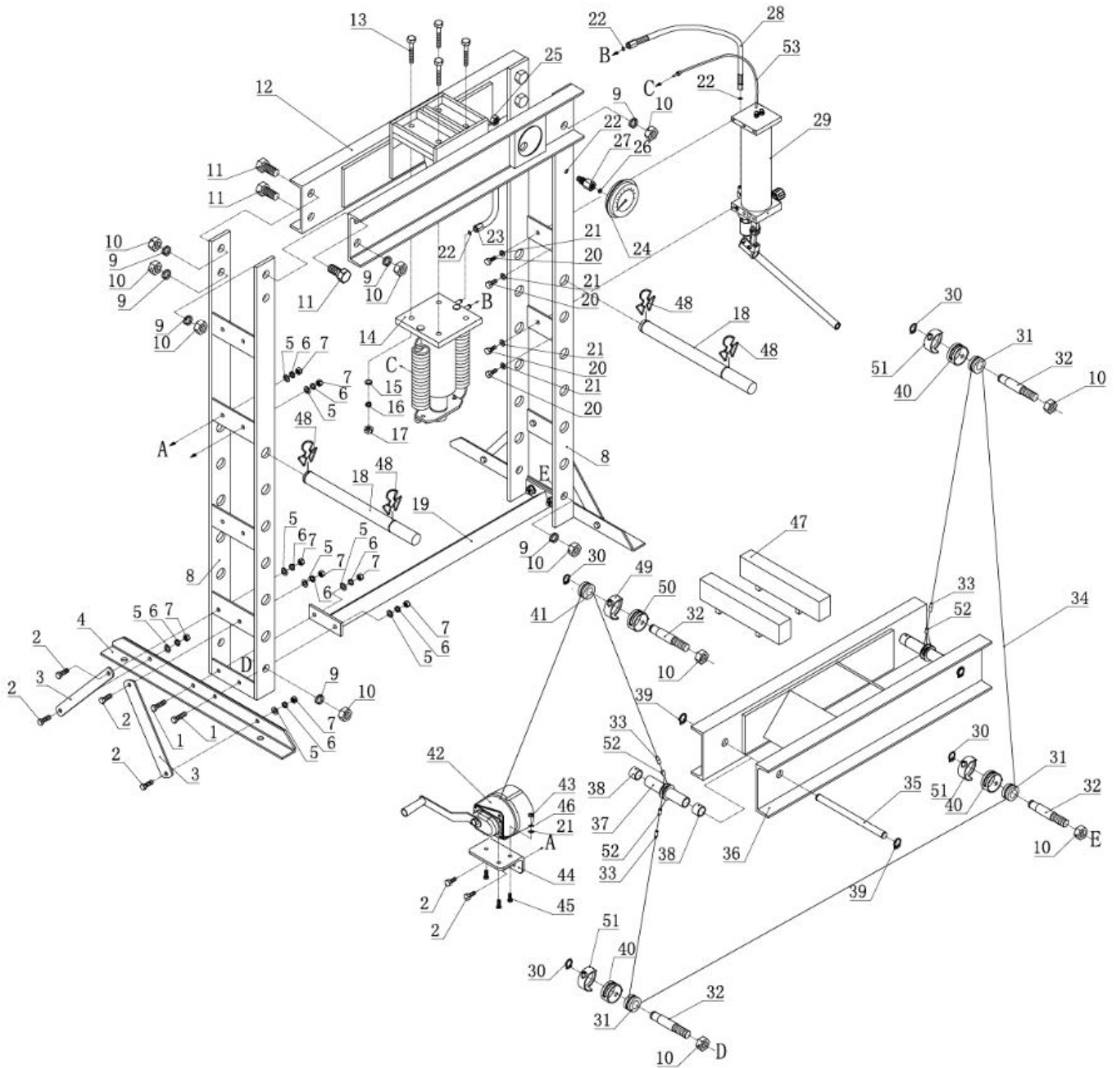
6. MAINTENANCE

1. Check all fittings are tight before each use.
2. Lubricate all moving parts at regular intervals.
3. Always keep the press clean, dry, and protected from harsh conditions.
4. Should you need to replace the oil ensure the piston is fully retracted. An excess of oil will render the press inoperative.
5. Use only appropriate hydraulic jack oil. DO NOT use brake fluid. Contact your local dealer for details.
6. Bleed the system to remove any air.

7. SERVICE & REPAIR

Any Air Hydraulic Workshop Press found damaged in any way, or found to be worn or operates abnormally should be removed from service until repaired by an authorised service agent. Owners and / or operators should be aware that repair of this product may require specialised equipment and knowledge. Only authorised parts, labels and decals shall be used on this equipment. Annual inspection of the Hydraulic workshop press is recommended and can be made by an authorised repair facility to ensure that your equipment is in optimum condition and that the equipment has the correct decals and safety labels specified by the manufacturer.

PARTS DIAGRAM



PARTS DIAGRAM LIST

Part #	Description	QTY
1	Bolt	4
2	Bolt	10
3	Support Bar	4
4	Base Section	2
5	Flat Washer	14
6	Lock Washer	14
7	Nut	14
8	Post	2
9	Lock Washer	10
10	Nut	14
11	Bolt	6
12	Upper Cross Beam	1
13	Bolt	4
14	Ram Mounting Plate Assembly	1
15	Flat Washer	4
16	Lock Washer	4
17	Nut	4
18	Pin	2
19	Beam	1
20	Bolt	4
21	Flat Washer	7
22	O-Ring	4
23	Hose	1
24	Gauge	1
25	Nut	1
26	Nylon Ring	1
27	Gauge Fitting	1

Part #	Description	QTY
28	Hose	1
29	Pump	1
30	Circlip	4
31	Roller	3
32	Bolt	4
33	Cable Cover	3
34	Cable	1
35	Lifting Bar	2
36	Working Table	1
37	Bushing	2
38	Bushing	4
39	Circlip	4
40	Roller Cover	3
41	Roller	1
42	Hand Winch	1
43	Nut	3
44	Winch Plate	1
45	Bolt	3
46	Lock Washer	3
47	Heel Block	2
48	Circlip	4
49	Cover 1	1
50	Cover 2	1
51	Cover 3	3
52	Clamp	3
53	Oil Hose	1

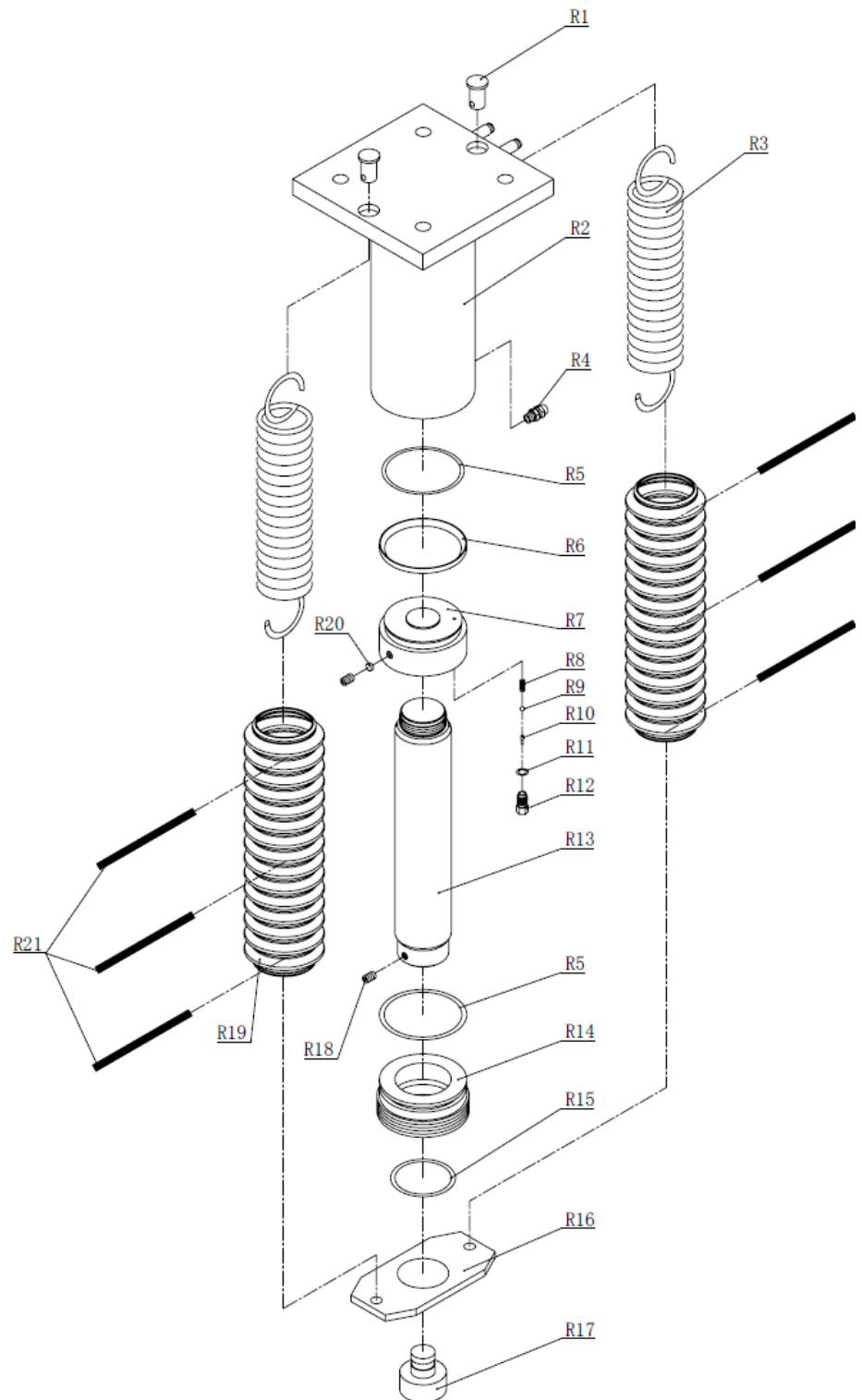
PUMP PARTS LIST

Part #	Description	QTY
P1	O-ring	1
P2	Seal Ring	1
P3	Oil Release Assy	1
P4	Handle Tube	1
P5	Ball	1
P6	Spring	2
P7	Screw	1
P8	Ball	1
P9	Limit Block	1
P10	Copper Washer	1
P11	O-ring	1
P12	Piston Seat	1
P13	Seal Ring	1
P14	O-ring	1
P15	Seal Ring	1
P16	Circlip	1
P17	Small Piston	1
P18	Big Piston	1
P19	Pin	3
P20	Link	1
P21	Handle Socket	1
P22	Split Pin	3
P23	O-ring	1
P24	Seal Ring	1
P25	Valve Rod	1
P26	Ball	2
P27	Spring	1

Part #	Description	QTY
P28	O-ring	2
P29	Plug Screw	2
P30	Copper Washer	1
P31	Valve Base	1
P32	Screw	1
P33	Ball	1
P34	Ball Cup	1
P35	Spring	1
P36	Screw	1
P37	Screw Cap	1
P38	Ball	1
P39	Limit Plate	1
P40	O-ring	1
P41	Release Valve	1
P42	Lock Washer	1
P43	Screw	1
P44	Ball	1
P45	Spring	1
P46	Copper Washer	1
P47	Screw	1
P48	Pump Assembly	1
P49	Elbow	1
P50	O-ring	1
P51	Plug Screw	1
P52	Nylon Ring	1
P53	Nut	1
P54	Hose	1

CYLINDER PARTS DIAGRAM/LIST

Part #	Description	QTY
R1	Pin	2
R2	Cylinder	1
R3	Spring	2
R4	Hose Fitting	1
R5	O-ring	2
R6	Seal Ring	1
R7	Ram Head	1
R8	Spring	1
R9	Ball	1
R10	Core	1
R11	Nylon Ring	1
R12	Limit Screw	1
R13	Ram	1
R14	Cover	1
R15	O-ring	1
R16	Spring Plate	1
R17	Saddle	1
R18	Screw	2
R19	Spring Cover	2
R20	Nylon Block	1
R21	Tie Wraps	6



WARRANTY

TradeQuip products have been carefully tested and inspected before shipment and are guaranteed to be free from defective materials and workmanship for a period of 12 months from the date of purchase except where tools are hired out when the guarantee period is ninety days from the date of purchase.

Should this piece of equipment develop any fault, please return the complete tool to your nearest authorised warranty repair agent or contact TQB Brands Pty Ltd Warranty team – warranty@tqbbrands.com.au.

If upon inspection it is found that the fault occurring is due to defective materials or workmanship, repairs will be carried out free of charge. This guarantee does not apply to normal wear and tear, nor does it cover any damage caused by misuse, careless or unsafe handling, alterations, accident, or repairs attempted or made by any personnel other than the authorised TQB Brands Pty Ltd repair agent.

This guarantee applies in lieu of any other guarantee expressed or implied and variations of its terms are not authorised.

Your TQB Brands Pty Ltd guarantee is not effective unless you can produce upon request a dated receipt or invoice to verify your proof of purchase within the 12 month period.

Consumer Guarantee

Our goods come with a guarantee that cannot be excluded under the Australian Consumer Law. You are entitled to a replacement or refund for a major failure and compensation for any other reasonably foreseeable loss or damage. You are also entitled to have the goods repaired or replaced if the goods fail to be of acceptable quality and the failure does not amount to a major failure.



All images and illustrations shown are for reference purposes only. All information, specifications and illustrations in this manual are based on the latest information available at the time of publication and are subject to change without notice. The information in this manual is periodically revised to ensure the latest information is included. Download the latest version of this manual and other related technical documentation from www.tqbbrands.com.au.