

Owners Manual

Product Code: 2052

**MADE FOR THE
TRADE**

TQ TRADEQUIP
the trusted brand in equipment

**TELESCOPIC
TRANSMISSION LIFTER**



Specifications:

- Safe Working Capacity: RWD/FWD/AWD GVM <2,500kg
- Rated Capacity: 500kg
- Minimum Height: 855mm
- Maximum Height: 1760mm
- Cradle: 360x276mm
- Forward Tilt: 23°
- Backward Tilt: 16°
- Lateral Tilt: 7°
- Base Dimensions: 690 x 780mm
- Nett Weight: 61kg
- Carton: 550 x 270 x 780mm
- Gross Weight: 68kg



GVM LESS < 2,500KG

About the *TradeQuip* brand

The '**TradeQuip**' brand of workshop equipment, is designed for use in a demanding workshop environment by professional users. With proven and trusted "**Made for the Trade**" reliability, '**TradeQuip**' branded products offer the very best in performance for an affordable price. All backed by a 1year trade guarantee across 1,000+ distributors Australia wide.

TQ TRADEQUIP
the trusted brand in equipment

TQPRO
Trusted by serious professionals

BORUM
INDUSTRIAL WORKSHOP EQUIPMENT

WARNING

IMPORTANT: READ ALL INSTRUCTIONS BEFORE USE



WARNING

The instructions and warnings contained in this manual should be read and understood before using or operating this equipment. Do not allow anyone to use or operate this equipment until they have read this manual and have developed a thorough understanding of how this equipment works. Failure to observe any of the instructions contained in the manual could result in severe personal injury to the user or bystanders, or cause damage to the equipment and property. Keep this manual in a convenient and safe place for future reference.

Whilst every effort has been made to ensure the accuracy of information contained in this manual, the TQB Brands Pty Ltd policy of continuous improvement determines the right to make modifications without prior warning.

CONTENT

WARNING 2

CONTENT 2

ASSEMBLY, OPERATION, PREVENTITIVE MAINTENANCE 4

TROUBLESHOOTING GUIDE 7

PARTS LIST COMPONENTS 8

PARTS LIST 9

PRODUCT INFORMATION TIPS 10

WARRANTY 11



USE THIS PRODUCT FOR ITS INTENDED PURPOSE ONLY

INTENDED USE

Designed for the removal, installation, and transportation (in the lowered position) of passenger vehicle transmissions that are raised by an in-ground or above-ground lift.

STANDARD OPERATING PROCEDURE

DO NOT use this machine unless you have been trained and assessed to a competent level in its safe use and operation, and have been given permission to use this



Safety glasses must be worn when operating this equipment



Long loose hair must be contained when operating this equipment



Safety footwear must be worn when operating this equipment



Close fitting/protective clothing must be worn when operating this equipment



Rings and jewellery must not be worn when operating this equipment

PRE-OPERATIONAL SAFETY CHECKS

1. The DO NOT exceed the maximum lifting load capacity of 500kg.
2. ALWAYS loosen the air vent screw on side of hydraulic ram body before use.
3. DO NOT use on tarmac, or any other soft surface as the transmission may sink or topple.
4. Vehicle must be properly and adequately supported before commencing work with this transmission lifter.
5. This transmission lifter is used as an aid in the removal and installation of a transmission or a differential as individual components. DO NOT use it for any other purpose than it is designed for.
6. Always centre the load on the saddle of this transmission lifter and be sure the transmission is stable and secure before raising or lowering.
7. DO NOT use the transmission lifter to lift or support a heavy load such as a differential with axle or a transmission with bell housing which is bulky and difficult to balance, and may cause the transmission lifter to tip over and lead to equipment damage and/or serious personal injury.
8. Transfer the load immediately to appropriate support device for service or repair.
9. DO NOT operate this transmission lifter when you are tired or under the influence of alcohol, drugs or any intoxicating medication.
10. DO NOT tamper with the safety valve.
11. DO NOT use brake fluid or any other improper fluid to refill or top up the hydraulic system of this transmission lifter. Only use good quality hydraulic jack oil.
12. DO NOT expose the transmission lifter to rain or any other kind of inclement weather.
13. Use a qualified person to maintain the transmission lifter in good condition. Keep the transmission lifter clean for best and safest performance.
14. Use approved personal protection safety equipment such as eye protection, non-skid boots, full face impact shield and heavy duty work gloves. Keep proper footing and balance, do not overreach.
15. Ensure that risk assessment has been read.
16. Faulty equipment must not be used. Immediately report suspect equipment.

OPERATIONAL SAFETY CHECKS

1. Only use this transmission lifter on a surface that is stable, level, smooth, dry and capable of sustaining the load. Keep the surface free from unrelated materials and ensure that there is adequate lighting.
2. Never move this transmission lifter with a load any higher off the ground than necessary and always move it slowly and carefully.
3. DO NOT allow untrained persons to operate this product and DO NOT make any modifications to this product.

INTENDED USE

Designed for the removal, installation and transportation (in the lowered position) of passenger vehicle transmissions that are raised by an in-ground or above-ground lift.

ASSEMBLY, OPERATION, PREVENTITIVE MAINTENANCE

1. FEATURES & MODELS

This 2-Stage Telescopic Transmission Lifter offers a wide range of versatility designed to help increase workshop productivity. For use with car and light truck transmissions. The universal mounting head provides a wide fore and aft tilt range. A wide base is enhanced by four heavy-duty steel swivel castors. Has a manual operated hydraulic system with smooth hydraulic lift and descent. The height adjustability of this telescoping transmission jack makes it great for any transmission installation or removal.

2. ASSEMBLY

Unpack the product and check contents with the exploded drawing and the parts list. Should there be any damaged or missing parts, contact your place of purchase immediately.

1. This Telescopic Transmission Lifter is built by combining the power unit (4), wheel stand units (1) and saddle unit (8).
2. Connect the two wheel stands (1) with the power unit (4) by inserting the M12x75 angled bolt (2) and M12 lock washer (6) washer (3) into the two holes on the power unit and tighten.
3. Assemble the four swivel castor wheels (5) together with the washer (17) lock washer (16) on each of the four ends of the wheel stands (1) and tighten the nuts (7).
4. Attach to the top of the piston into the hole (28°) and through the lifting platform unit (8) and tighten the M8 screw (9).
5. Fasten the two claws (10) with M12x25 bolt (11) and washer 9170 to the M12 nut (12) on the lifting platform unit (8). The distance between the two claws can be adjusted as needed for transmission.
6. Change the air vent valve (13) to the unit with the hole in the centre removing the one without a hole.



OPEN BREATHER VALVE BEFORE USE

3. BEFORE USE

Prior to use conduct a visual inspection checking for abnormal conditions, such as cracked welds, leaks, and damaged, loose, or missing parts.

Bleed Hydraulic Transmission Lifter:

Remove the Filler Bung/Breather and if required, refill with *32 Grade Hydraulic until the oil is lapping the bottom of the filler hole then replace the Filler Bung/Breather and open the Breatherair vent screw.

Move the release handle to the lift position with the Pump Pedal in the raised position and Pump the Lift Rams to full extension.

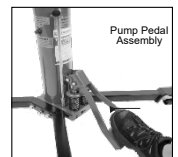
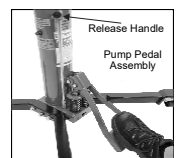
At full extension resistance will be felt at the pedal and the pedal travel will stall.

While holding the pedal down open the release handle till the pedal starts to slowly drop keeping a firm resistance feel in the pedal. Continue to pump the pump pedal approximately 10 times then open the release and allow the lift ram to completely retract.

1. This procedure will have circulated the oil through the release and pressure circuits simultaneously bleeding the pump mechanism.
2. If necessary, repeat the process steps 2 to 4.

**At this point both the Pump and Lift Ram should be free of air and the Jack ready for operation
If the pump still feels spongy or load is slow to raise, seek the services of a qualified Hydraulic repairer.**

*The TradeQuip range of transmission lifts use grade 32 Grade Hydraulic Oil for the correct operation and compatibility with the seals used in their construction.



4. OPERATION

The **Prior to use remove the Solid Plug and replace with the Air Vent Valve.**

NOTE: Follow the vehicle manufacturer's recommended procedures for removing the load as outlined in the vehicle service manual or repair guide.

1. Move the Telescopic Transmission Lifter into position.
2. Turn the release valve handle (15) clockwise fully to close the pressure valve.
3. Move the foot pedal (14) up and down to raise the lifting platform assembly (8).
4. Adjust the lifting platform travel screw (18) and the angle adjustment screw (19) to align with the shape of the transmission.
5. Adjust the claws (10) and the securing chain (20) to secure the transmission on the table.
6. Remove the transmission from the vehicle.
7. Turn the release valve handle (15) counter-clockwise slowly to lower the load.
8. Reverse this procedure when mounting the transmission.

NOTE: The speed of lowering is controlled by pressure on the release valve. The more the valve is opened the more rapidly the jack descends. Ensure the decent is slow and controlled.



WARNING: Dangerous dynamic shock loads are created by quick opening and closing the release valve when the load is being lowered. The resulting overload may cause hydraulic system failure which could cause property damage and/or severe personal injury.

5. INSPECTION

Prior to each use conduct a visual inspection checking for abnormal conditions, such as cracked welds, leaks, and damaged, loose, or missing parts.

- The transmission lifter shall be maintained in accordance with the maintenance instructions. No alterations or modifications shall be made to this transmission lifter.
- Inspections shall be performed in accordance with this owner's manual.
- The transmission lifter must be inspected immediately if it is believed to have been subjected to abnormal load or shock.
- Owners and /or operators should be aware that repair of this product may require specialised equipment and knowledge (refer to maintenance section).

6. STORAGE

This transmission lifter should always be stored in a dry location on a level surface with the **saddle fully lowered and the air vent valve closed.**

7. MAINTENANCE

Monthly maintenance is recommended. If this transmission lifter is in constant use, drain and refill with good quality hydraulic jack oil once a year. The level of oil should be maintained to minimum of 6mm below the air vent screw. Top up with quality hydraulic jack oil eg. ISOVG32. **DO NOT** use brake/trans fluid or engine oil. Lubricate the wheel axles and all pivot points with engine oil or similar lubricant every month.

The hydraulic cylinder assembly of this transmission jack contains hydraulic fluid that must be kept at approximately 90% full at all times for proper operation. To check the level and to fill:

1. Turn the release valve handle (15) counter clockwise.
2. Allow the lifting platform assembly to lower completely.
3. Remove the oil tank screw.
4. Make a visual inspection inside the oil tank opening. The hydraulic fluid must be approximately 90% of the capacity of the hydraulic cylinder.
5. Fill oil tank with clean hydraulic fluid oil of a high quality.
6. Replace air valve.

Important: Use only quality grade hydraulic jack oil. Avoid mixing different types of fluid and **NEVER** use brake fluid, turbine oil, transmission fluid, motor oil or glycerine. Improper fluid can cause premature failure of the transmission lifter and the potential for sudden and immediate loss of load. We recommend PENRITE HYDRAULIC JACK OIL or equivalent.

Important: Dirt is the greatest single cause of failure in hydraulic units. Keep the transmission lifter clean and well lubricated to prevent foreign matter from entering the system.

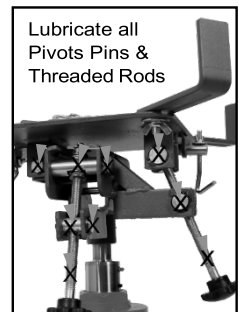
Pivots and pins in all manual pump and release mechanisms [marked X] should be lubricated with a Light Bearing Grease or 30/40W Machine Oil to ensure long life and prevent premature wear.



Wheel axles and Castor ball races should be lubricated with a Light Bearing Grease or 30/40W Machine Oil to ensure long life and prevent premature wear.



Cradle Pins, Pivots and Threaded Adjustor Rods [marked X] should be lubricated with a Light Bearing Grease or 30/40W Machine Oil to ensure long life and prevent premature wear.



If the transmission lifter has been exposed to rain, snow, sand, or grit it must be cleaned before it is stored or used.

Periodically check the piston rod for signs of rust or corrosion. Clean exposed areas with a clean oiled cloth.

WARNING: Never use sandpaper or abrasive material on these surfaces.

8. SERVICE & REPAIR

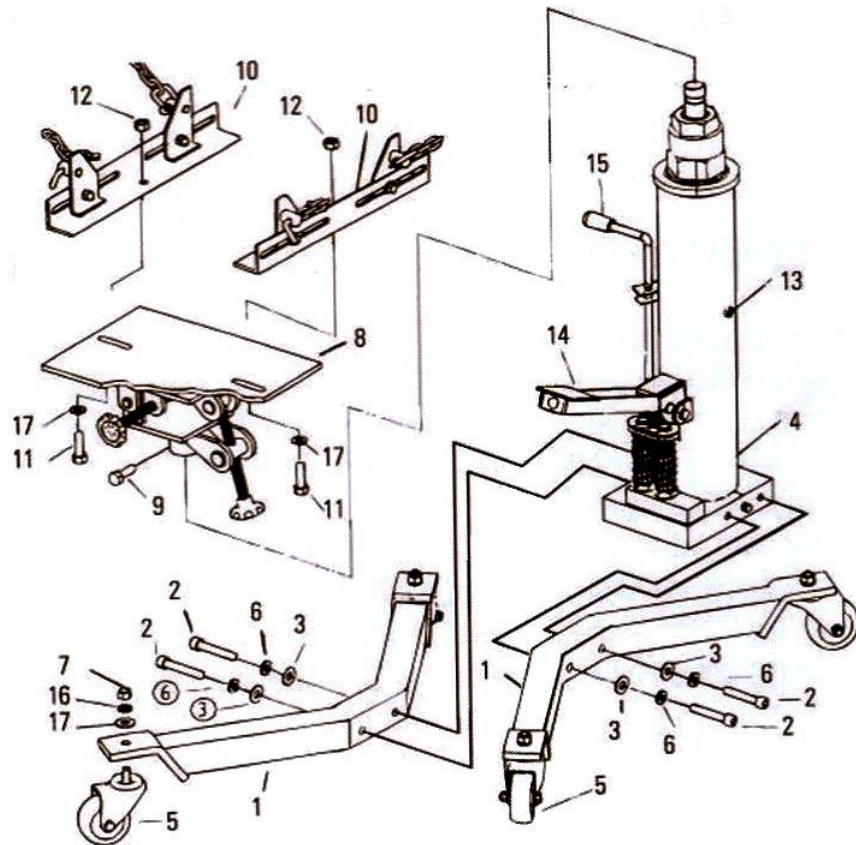
Any jack found damaged in any way, or found to be worn or operates abnormally should be removed from service until repaired by an authorised service agent. Owners and / or operators should be aware that repair of this product may require specialised equipment and knowledge. Only authorised parts, labels, decals shall be used on this equipment. Annual inspection of the jack is recommended and can be made by an authorised repair facility to ensure that your equipment is in optimum condition and that the equipment has the correct decals and safety labels specified by the manufacturer.

TROUBLESHOOTING GUIDE

Problem	Symptom	Cause	Conclusion	Solution
Lifter will not lift using foot pump	Pump has no resistance, lift ram will not raise	Release pedal valve pin obstructed	Dirt under release pin retainer	Hold pedal down and clean out pin cavity with an air duster
		Air in hydraulic system	Air cavitation in pump and/or lift ram	Bleed system as per instructions
		Load weight exceeds lift capacity	Higher capacity lifter required	Select higher capacity lifter
		Pump circuit protection valve actuated	Pump circuit protection valve needs reset	Depress release pedal, valve will reset
		Overload actuated	Relief valve needs reset	Contact qualified technician for repairs
Lifter will not hold load	Load cannot be sustained, lift ram drops under load Pump pedal rises	Release valve not tightly closed	Bypass through release valve	Ensure release valve tightly closed
		External Leak at lift ram. Damaged main seal Main check valve obstructed	Transmission lifter operated with breather closed for extended period causing air ingress to hydraulic system and reservoir pressurisation. Replace main ram seals Replace main check valve ball and reseal valve seat	With ram fully retracted, open the breather to let pressurised air escape, Bleed system. Contact qualified technician for repairs
Lifter will not lower after unloading	Lift ram rises after retracting	Reservoir overfilled and breather closed	Ram failure due to reservoir pressurised caused by excess reservoir level and closed breather valve	Fully retract ram and drain excess oil and bleed system as per instructions
	Lift ram will not retract	Breather closed	Breather closed causing hydraulic lock	Open breather and bleed system Contact qualified technician for repairs
Poor lift performance	Pump has no resistance, lift ram will not raise to full stroke	Fluid level low Air trapped in system breather closed, pump failure due to cavitation caused by air pressure build up in reservoir	Fill fluid to correct level Lift ram raised for extended period causing air ingress to hydraulic system	Fill fluid to correct fluid level and bleed system With ram fully retracted, open the breather to let pressurised air escape bleed system Contact qualified technician for repairs

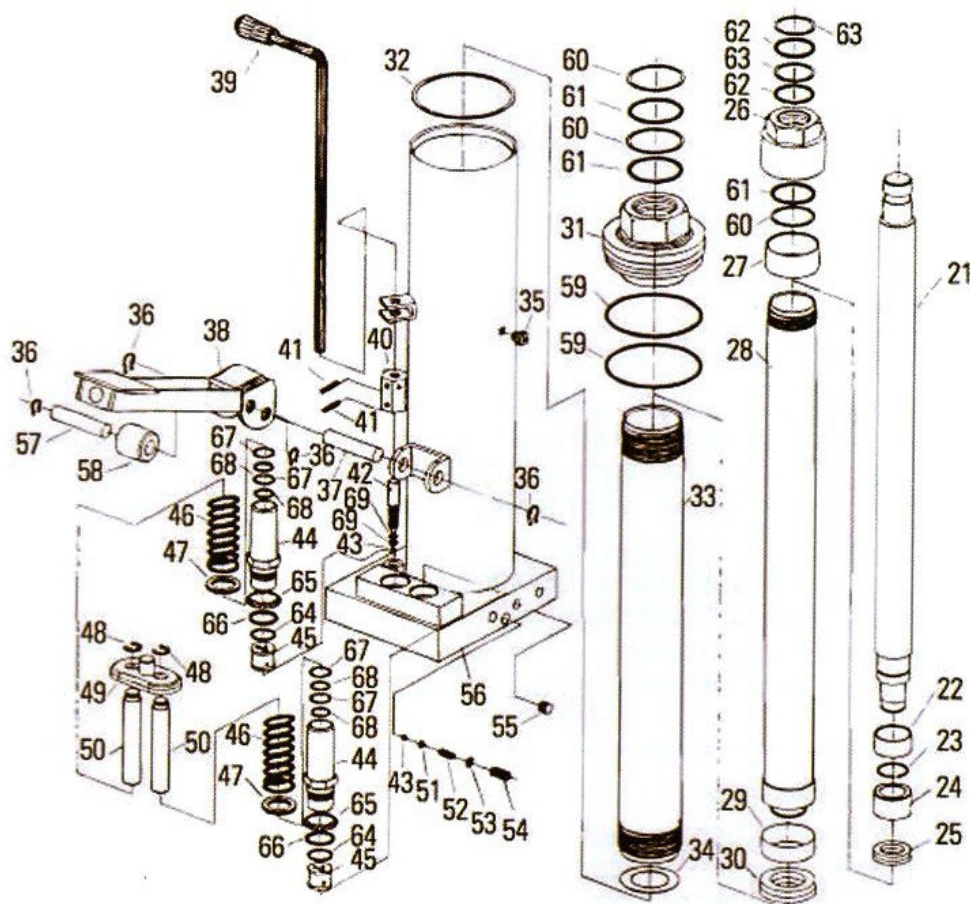
PARTS LIST COMPONENTS

Part #	Description	QTY	Part #	Description	QTY
1	Wheel Stand	2	11	M10 x25 Angled Bolt	2
2	M12x70 Angled Bolt	4	12	M10 Nut	2
3	Washer	4	13	Oil Tank Screw/Air Vent Valve	1
4	Power Unit	1	14	Foot Pedal	1
5	Castor Wheel	4	15	Release Valve Handle	1
6	12mm Lock Washer	4	16	12mm Lock Washer	4
7	Nut	4	17	Washer	6
8	Lifting Platform Assembly	1	18	Travel Adjustment Screw	1
9	M10 Screw	1	19	Angle Adjustment Screw	1
10	Claws	1	20	Securing Chain	1



PARTS LIST

Part #	Description	QTY	Part #	Description	QTY
21	Small Piston Rod	1	46	Piston Spring	2
22	Cylinder Bushing	1	47	Washer	2
23	O-Ring	1	48	12mm Snap Ring	2
24	O-Ring Retainer	1	49	Cover of Spring	1
25	Oil Seal	1	50	Piston	2
26	Small Tank Nut Unit	1	51	Ball Stopper	1
27	Liner Bushing	1	52	Spring	1
28	Piston Rod Welded Unit	1	53	O-Ring	1
29	Copper Bushing	1	54	Overload Valve Screw	1
30	Oil Seal	1	55	Fixed Pin	2
31	Tank Nut Unit	1	56	Foundation Welded Unit	1
32	Washer	1	57	Pin	1
33	Cylinder	1	58	Roller	1
34	Washer	1	59	P103 O-Ring	2
35	Air Vent Valve	1	60	Back-up Ring	3
36	16mm snap Ring	4	61	P46 O-Ring	3
37	Pin	1	62	P36 O-Ring	2
38	Foot Pedal	1	63	P36 Back-up Ring	2
39	Release Valve Handle	1	64	P26 O-Ring	2
40	Connecting Sleeve	1	65	Washer	2
41	Spring Pin	2	66	P30 O-ring	2
42	Release Valve Screw	1	67	P20 Back-up Ring	4
43	1/4" Ball	2	68	P20 O-Ring	4
44	Pump	2	69	O-Ring	2
45	One-way Valve	2			



PRODUCT INFORMATION TIPS

PRODUCT INFORMATION

How to extend the life of your Transmission Lifter

10 Top Tips

to extend the life of your TQB BRANDS Transmission Lifter

1 Open the breather valve prior to use.

Opening the breather prior to operation ensures the efficient hydraulic operation of the lift ram and pump preventing pump and ram cavitation resulting in poor operation and or possible hydraulic oil loss.



2 Regularly lubricate the tilt adjust rods, pivot points.

Lubrication of all pivots, pins, adjusters, and castor wheels ensures smooth operation during lifting and adjustment procedures while removing a transmission.



3 Regularly lubricate the castors axles & ball races to ensure smooth movement of the loaded jack.



4 Always store in the fully lowered position.

Storage in the lowered position ensures the lift ram assembly is sealed from exposure to weather fluctuations and keeps the hydraulic ram seals in a relaxed condition ready to work when required.



5 Never use trans lifter for supporting loads.

To ensure long life of the hydraulic lift ram seals, a load must not be supported above the fully lowered position. Once a transmission is removed from a vehicle the loaded transmission lift must be fully lowered where the internal mechanical travel stops can support the load. Transmission lifts must not be used for suspension support during repairs. Please use a suitable auxiliary stand for this purpose.



6 Centering the load on the platform.

Correct balance of the load is a critical factor where unbalanced loads can affect the smooth lowering and raising operation. Always consult your vehicle manufacturer specifications for the correct lift point when attaching transmission lifter to a transmission.



7 Use correct model for intended application.

The following chart explains model suitability based on GVM and Transmission type.

TQB BRANDS Recommendation for Under Hoist Transmission Jack Applications								
	GVM LESS THAN 2000KG	GVM LESS THAN 2300KG	GVM LESS THAN 2500KG	GVM LESS THAN 3200KG	GVM LESS THAN 3500KG	2 WHEEL DRIVE	ALL WHEEL DRIVE	4X4 & LIGHT COMMERCIAL
2049T/59T	Y					Y		
2002T/22T	Y	Y				Y	Y	
2052	Y	Y	Y			Y	Y	
PROTL500	Y	Y	Y			Y	Y	
2053T/63T	Y	Y	Y	Y		Y	Y	Y
PROTL1000	Y	Y	Y	Y	Y	Y	Y	Y

8 Hazards and Obstructions.

All wheeled TQB Brands equipment must be used on smooth surface free of cracks, crevices and tripping hazards that can foul the wheels during operation or relocation.

9 Read the user Manual thoroughly and keep a copy easily accessible.

The user's manuals are important to the initial set up and ongoing maintenance and come with each transmission jack, they are also downloadable from our webpage at www.tqbbrands.com.au

10 Visit our webpage for instructional videos.

We have created instructional videos for our range of transmission jacks which include bleeding procedures and product comparisons. You'll find these at www.tqbbrands.com.au



WARRANTY

TradeQuip products have been carefully tested and inspected before shipment and are guaranteed to be free from defective materials and workmanship for a period of 12 months from the date of purchase except where tools are hired out when the guarantee period is ninety days from the date of purchase.

Should this piece of equipment develop any fault, please return the complete tool to your nearest authorised warranty repair agent or contact TQB Brands Pty Ltd Warranty team – warranty@tqbbrands.com.au.

If upon inspection it is found that the fault occurring is due to defective materials or workmanship, repairs will be carried out free of charge. This guarantee does not apply to normal wear and tear, nor does it cover any damage caused by misuse, careless or unsafe handling, alterations, accident, or repairs attempted or made by any personnel other than the authorised TQB Brands Pty Ltd repair agent.

This guarantee applies in lieu of any other guarantee expressed or implied and variations of its terms are not authorised.

Your TQB Brands Pty Ltd guarantee is not effective unless you can produce upon request a dated receipt or invoice to verify your proof of purchase within the 12 month period.

Consumer Guarantee

Our goods come with a guarantee that cannot be excluded under the Australian Consumer Law. You are entitled to a replacement or refund for a major failure and compensation for any other reasonably foreseeable loss or damage. You are also entitled to have the goods repaired or replaced if the goods fail to be of acceptable quality and the failure does not amount to a major failure.



All images and illustrations shown are for reference purposes only. All information, specifications and illustrations in this manual are based on the latest information available at the time of publication and are subject to change without notice. The information in this manual is periodically revised to ensure the latest information is included. Download the latest version of this manual and other related technical documentation from www.tqbbrands.com.au.