

# Owners Manual

Product Code: 6020T

**MADE FOR THE  
TRADE**

**TQ TRADEQUIP**  
the trusted brand in equipment

**WORKSHOP TROLLEY  
SINGLE DRAWER**



#### Specifications

- Safe Working Capacity: 155kg
- Nett Weight: 25.5kg
- Overall Dims: 775x415x890mm
- Top Tray Dims: 695x405x65mm
- Drawer Dims: 635x320x80mm
- Drawer Capacity: 34kg
- Lower Tray Dims: 750x395x68mm

#### About the **Tradequip** brand

The '**Tradequip**' brand of workshop equipment, is designed for use in a demanding workshop environment by professional users. With proven and trusted "Made for the Trade" reliability, 'Tradequip' branded products offer the very best in performance for an affordable price. All backed by a 1 year trade guarantee across 1,000+ distributors Australia wide.

**TQ TRADEQUIP**  
the trusted brand in equipment

**TQPRO**  
Trusted by serious professionals

**BORUM**  
INDUSTRIAL WORKSHOP EQUIPMENT

**WARNING****IMPORTANT: READ ALL INSTRUCTIONS BEFORE USE**

Safety glasses must be worn when operating this equipment



Long loose hair must be contained when operating this equipment



Safety footwear must be worn when operating this equipment



Close fitting/protective clothing must be worn when operating this equipment



Rings and jewellery must not be worn when operating this equipment

**WARNING**

The instructions and warnings contained in this manual should be read and understood before using or operating this equipment. Do not allow anyone to use or operate this equipment until they have read this manual and have developed a thorough understanding of how this equipment works. Failure to observe any of the instructions contained in the manual could result in severe personal injury to the user or bystanders, or cause damage to the equipment and property. Keep this manual in a convenient and safe place for future reference.

Whilst every effort has been made to ensure accuracy of information contained in this manual, the TQB Brands Pty Ltd policy of continuous improvement determines the right to make modifications without prior warning.

**STANDARD OPERATING PROCEDURE**

**DO NOT** use this machine unless you have been trained and assessed to a competent level in its safe use and operation, and have been given permission to use this

**SAFETY OPERATING INSTRUCTIONS**

- Do not exceed the products rated maximum load capacity.
- Always distribute objects evenly on the Workshop Trolley. Uneven weight distribution could cause tipping.
- Do not lean or climb onto the Workshop Trolley.
- Only use this device for the purpose for which it has been designed.
- Do not modify any component of this equipment.
- DO NOT SIT, STAND OR CLIMB ON THIS ITEM.
- DO NOT STEP IN OR ON DRAWER/TRAY.
- NEVER roll this roller cabinet over a crack in the floor, a step or power cord when fully loaded.
- Do not allow children to play with or near this item. This item is NOT children's furniture.
- Do not exceed 155kg weight capacity.
- Do not exceed drawer weight capacity of 34kg.
- Evenly distribute load from bottom up. Uneven loading causes tipping.
- Be aware of dynamic loading! Sudden load movement may briefly create excess load causing tipping.
- Close and lock drawer before moving. Do not pull to move, push.
- Use only on a flat, level, hard and smooth surface capable of safely supporting a fully loaded unit.
- Do not lift using handle(s). Do not lift while loaded.
- Read instruction manual before assembly and/or use.
- When servicing, use only Tradequip identical replacement parts. Use of any other parts will void the warranty.
- Only use on a flat surface capable of supporting the Workshop Trolley and its rated maximum capacity load. It is easy to lose control of the Workshop Trolley if attempting to pull a load on a sloping or uneven surface.
- Use the right product for the job. There are certain applications for which the Workshop Trolley was designed. Do not modify the Workshop Trolley and do not use the Workshop Trolley for a purpose for which it was not intended.

## ASSEMBLY, OPERATION, PREVENTITIVE MAINTENANCE

### 1. FEATURES

The Tradequip Single Drawer Workshop Trolley keep the tools you need for the job organised and easily accessible in its all-steel design. This mobile trolley provides mobile storage space and handles up to 155kg worth of tools, parts and equipment. Features include four smooth rolling swivel castors for easy manoeuvrability around your work area and a glossy powder coat finish for durability. A great mobile tool storage for any garage or workshop, this piece of kit is widely used for collecting and storing parts and/or tools when servicing vehicles and machinery etc.

### 2. ASSEMBLY

**Unpacking:** after removing the packing material, make sure the product is in perfect condition and that there are no visible damaged parts. The packaging materials (Polyethylene bags, polystyrene etc.), should be disposed of responsibly in an appropriate refuse collection container. These materials must not be left within the reach of children as they are potential sources of danger.

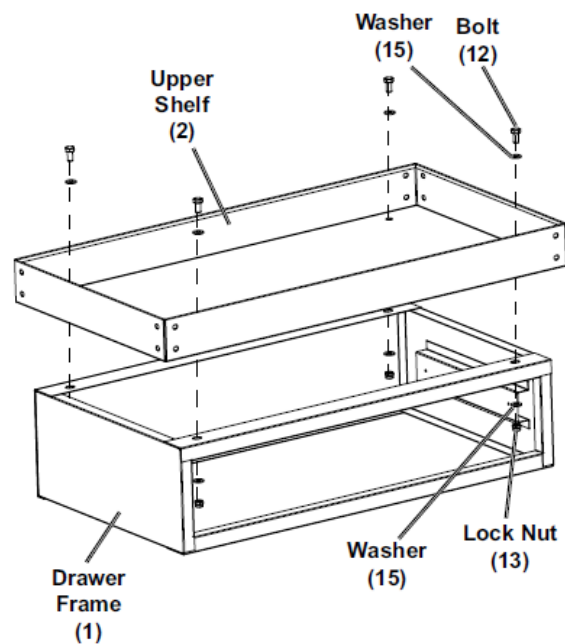
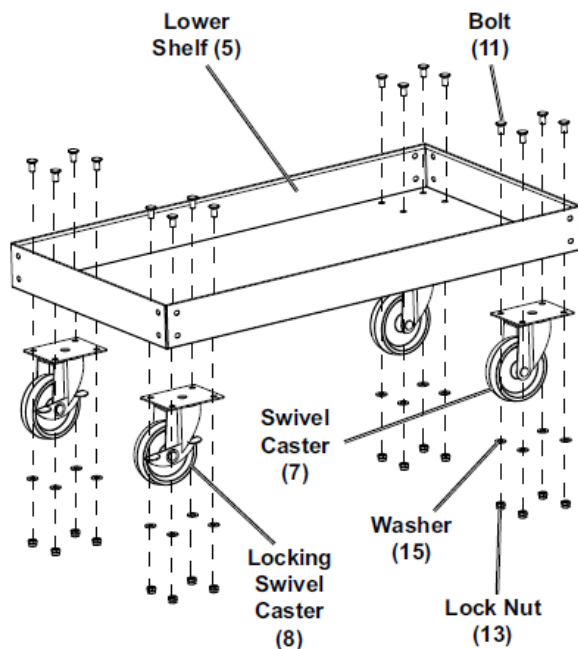
#### ASSEMBLE THE TROLLEY:

1. Assemble on a flat, level, hard and smooth surface capable of safely supporting a fully loaded Trolley.

2. Attach two Swivel Casters (7) to one side of Lower Shelf (5), using eight Carriage Bolts (11), Washers (15), and Lock Nuts (13).

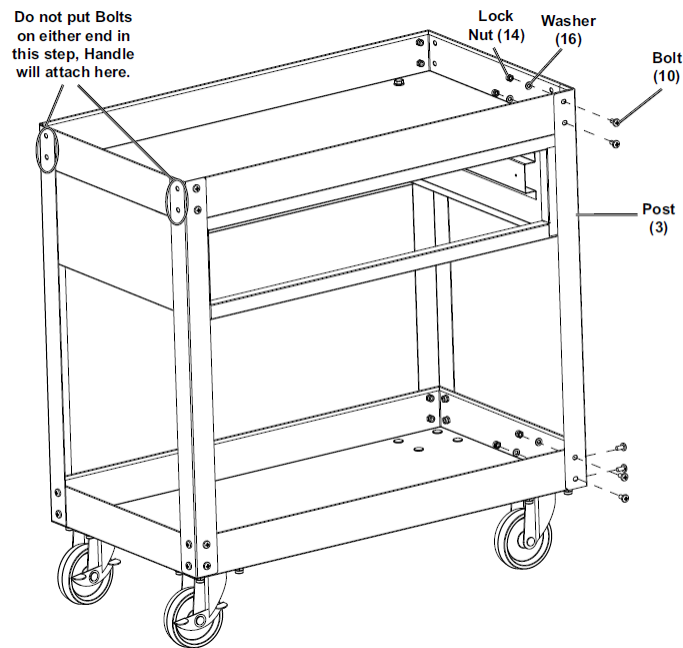
3. Attach two Locking Swivel Casters (8) to other side, using eight Carriage Bolts (11), Washers (15), and Lock Nuts (13).

4. Attach Upper Shelf (2) to Drawer Frame (1), using four Bolts (12), eight Washers (15), and four Lock Nuts (13).

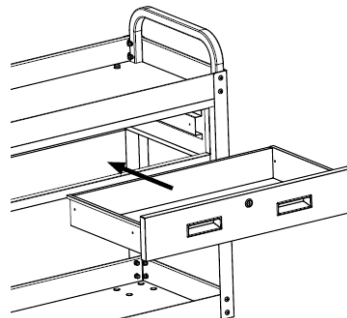
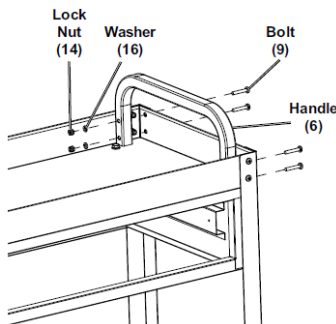


5. Lock the Locking Swivel Casters.

6. Attach one Post (3) to each corner of Drawer/Shelf assembly and Lower Shelf, using twenty four Bolts (10), Washers (16) and Lock Nuts (14) total, eight on top and sixteen on the bottom, as shown below.



7. Attach one Handle (6) to each end, using eight Bolts (9), Washers (16), and Lock Nuts (14).  
8. Tighten all hardware.  
9. Slide Drawer (4) into Drawer Frame.



*Your Workshop Trolley is ready for use.*

**Warning** - Do not exceed the product's rated maximum load capacity.

### 3. BEFORE USE

Prior to each use conduct a visual inspection by checking for abnormal conditions, such as cracked joints and damaged, loose, or missing parts.

### 4. OPERATION INSTRUCTIONS

Read the ENTIRE IMPORTANT SAFETY INFORMATION section at the beginning of this document including all text under subheadings therein before set up or use of this product.

1. Fill the Trolley evenly, from bottom to top. Do not exceed weight capacities.
2. Close and lock Drawer.
3. Unlock Locking Swivel Casters.
4. Roll Trolley to a flat, level, hard and smooth surface capable of safely supporting a fully loaded Trolley. Do not roll Trolley over concrete seams or other rough/uneven surfaces.
5. Lock Locking Swivel Casters.



## 5. MAINTENANCE AND SERVICING

a. PERIODICALLY, inspect the general condition of the Trolley. Check for:

- loose hardware,
- misalignment or binding of moving parts,
- brake operation,
- caster swivel function and movement,
- cracked or broken parts,
- any other condition that may affect its safe operation.

b. Wipe external surfaces of the Trolley with a clean cloth.

c. Lubricate Drawer Slides as needed.

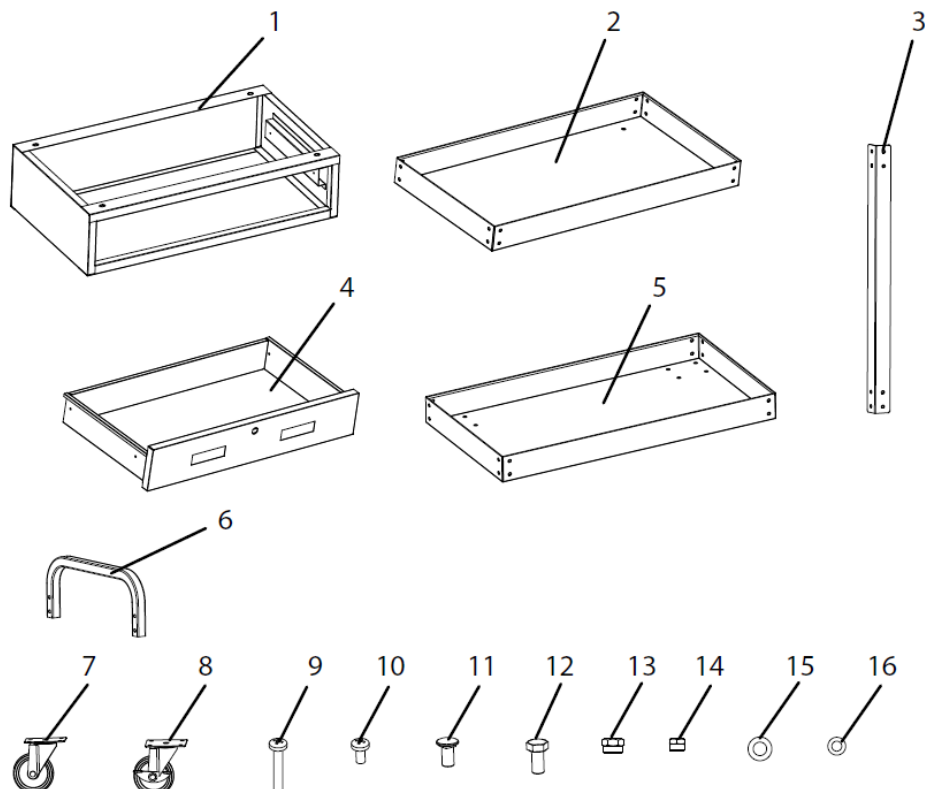
## 6. SERVICE & REPAIR

If the Workshop Trolley is found damaged in any way, or found to be worn or operates abnormally, it should be removed from service until repaired by an authorised service agent. Owners and / or operators should be aware that repair of this product may require specialised equipment and knowledge. Only authorised parts, labels, decals shall be used on this equipment. Annual inspection of the Workshop Trolley is recommended and can be made by an authorised repair facility to ensure that your equipment is in optimum condition and that the equipment has the correct decals and safety labels specified by the manufacturer

## PARTS LIST & DIAGRAM

Part #	Description	QTY
1	Drawer Frame	1
2	Upper Shelf	1
3	Post	4
4	Drawer	1
5	Lower Shelf	1
6	Handle	2
7	Swivel Caster	2
8	Locking Swivel Caster	2

Part #	Description	QTY
9	Bolt M6x35	8
10	Bolt M6x10	24
11	Carriage Bolt M8x16	16
12	Bolt M8x16	4
13	Lock Nut M8	20
14	Lock Nut M6	32
15	Washer Ø8	24
16	Washer Ø6	32



## WARRANTY

TradeQuip products have been carefully tested and inspected before shipment and are guaranteed to be free from defective materials and workmanship for a period of 12 months from the date of purchase except where tools are hired out when the guarantee period is ninety days from the date of purchase.

Should this piece of equipment develop any fault, please return the complete tool to your nearest authorised warranty repair agent or contact TQB Brands Pty Ltd Warranty team – [warranty@tqbbrands.com.au](mailto:warranty@tqbbrands.com.au).

If upon inspection it is found that the fault occurring is due to defective materials or workmanship, repairs will be carried out free of charge. This guarantee does not apply to normal wear and tear, nor does it cover any damage caused by misuse, careless or unsafe handling, alterations, accident, or repairs attempted or made by any personnel other than the authorised TQB Brands Pty Ltd repair agent.

This guarantee applies in lieu of any other guarantee expressed or implied and variations of its terms are not authorised.

Your TQB Brands Pty Ltd guarantee is not effective unless you can produce upon request a dated receipt or invoice to verify your proof of purchase within the 12 month period.

### Consumer Guarantee

Our goods come with a guarantee that cannot be excluded under the Australian Consumer Law. You are entitled to a replacement or refund for a major failure and compensation for any other reasonably foreseeable loss or damage. You are also entitled to have the goods repaired or replaced if the goods fail to be of acceptable quality and the failure does not amount to a major failure.



All images and illustrations shown are for reference purposes only. All information, specifications and illustrations in this manual are based on the latest information available at the time of publication and are subject to change without notice. The information in this manual is periodically revised to ensure the latest information is included. Download the latest version of this manual and other related technical documentation from [www.tqbbrands.com.au](http://www.tqbbrands.com.au).