

Thank you for purchasing this TradeQuip product. Manufactured to a high standard this product will, if used according to these instructions and properly maintained, give you years of trouble free performance.



IMPORTANT: PLEASE READ THESE INSTRUCTIONS CAREFULLY. NOTE THE SAFE OPERATIONAL REQUIREMENTS, WARNINGS & CAUTIONS. USE THE PRODUCT CORRECTLY AND WITH CARE FOR THE PURPOSE FOR WHICH IT IS INTENDED. FAILURE TO DO SO MAY CAUSE DAMAGE AND/OR PERSONAL INJURY, AND WILL INVALIDATE THE WARRANTY. PLEASE KEEP INSTRUCTIONS SAFE FOR FUTURE USE.

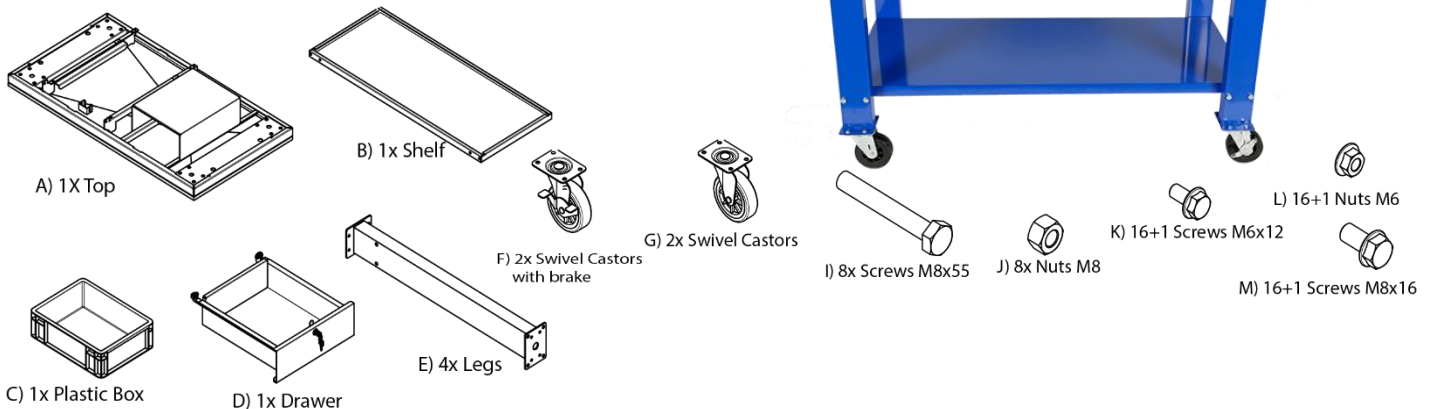
1. SAFETY INSTRUCTIONS

- ✓ Only use this Mobile Teardown Bench for the purpose for which it has been designed.
- ✗ Do not modify any component of this Mobile Teardown Bench.
- ✓ When servicing, use only TradeQuip identical replacement parts. Use of any other parts will void the warranty.
- ✓ Safe Working Capacity 250kg.
- ✓ For your safety, ensure the brake is on.
- ✓ This bench is for use on level surfaces.
- ✓ This product is intended for indoor use only.



2. CONTENTS & SPECIFICATIONS

- Safe Working Capacity: 250kg
- Bench Top Capacity: 150kg
- Shelf Capacity: 100kg
- Drain Bowl Capacity: 8 Litres



3. ASSEMBLY INSTRUCTIONS

