

Superior quality since
1984



Owners Manual

AIR JACK/SUPPORT STAND 10,000KG

BORUM

INDUSTRIAL WORKSHOP EQUIPMENT

**INDUSTRIAL
QUALITY**

Specifications

- Safe Working Capacity: 10,000kg
- Maximum Height: 1298mm
- Minimum Height: 536mm
- Hydraulic Lift: 292mm
- Base Diameter: 339mm
- Net Weight: 79kg
- Rated Air Pressure Capacity: 200psi
- Weight: 91kg



About the Borum brand

Our “**heavy duty commercial**” range of **Borum Industrial** equipment has been manufactured to exacting standards for the past **34 years**. We specify industrial quality components and design to ensure a long and durable working life in **commercial transport, mining, earthmoving and railway** environments. Our **Borum Industrial** range of equipment is focused on achieving superior professional standards, reliability, quality, and are covered by a **12 month trade use warranty**.

WARNING INFORMATION



IMPORTANT: READ ALL INSTRUCTIONS BEFORE USE



WARNING

The instructions and warnings contained in this manual should be read and understood before using or operating this equipment. Do not allow anyone to use or operate this equipment until they have read this manual and have developed a thorough understanding of how this equipment works. Failure to observe any of the instructions contained in the manual could result in severe personal injury to the user or bystanders, or cause damage to the equipment and property. Keep this manual in a convenient and safe place for future reference.

The warnings, cautions and instructions discussed in this instruction manual cannot cover all possible conditions and situations that may occur. It must be understood by the operator that common sense and caution are factors which cannot be built into this product, but must be supplied by the operator.

Whilst every effort has been made to ensure accuracy of information contained in this manual, the Borum policy of continuous improvement determines the right to make modifications without prior warning.

CONTENTS

WARNING INFORMATION	1
STANDARD OPERATING PROCEDURE	2
ASSEMBLY, OPERATION, STORAGE	3
PARTS DIAGRAM & PARTS LIST.....	5
TROUBLESHOOTING	7
MAINTENANCE	7
WARRANTY.....	9

STANDARD OPERATING PROCEDURE

DO NOT use this machine unless you have been trained and assessed to a competent level in its safe use and operation, and have been given permission to use this



Safety glasses must be worn when operating this equipment



Long loose hair must be contained when operating this equipment



Safety footwear must be worn when operating this equipment



Close fitting/protective clothing must be worn when operating this equipment

PRE-OPERATIONAL SAFETY CHECKS

1. The maximum load is 10,000kg. DO NOT exceed this rated capacity.
2. Study, understand, and follow all instructions before operating this device.
3. Retain these instructions for future reference.
4. The equipment described in this manual could be potentially dangerous if improperly or carelessly operated. For the protection of all persons and equipment, only competently trained operators who are critically aware of the proper operating procedures, potential dangers, and specific application of this equipment should be allowed to use this equipment at any time.
5. Because of potential hazards associated with this type of equipment, no alterations shall be made to this product.
6. Failure to heed all warnings contained in this manual may result in personal injury and/or property damage.
7. All warranties applicable to this equipment are contingent on strict adherence to the operation and maintenance procedures in this manual.

OPERATIONAL SAFETY CHECKS

1. Do not exceed rated capacity. Overloading can cause damage to or failure of the product.
2. Use the jack on a hard level surface capable of sustaining the load.
3. Use on other than hard level surfaces may result in possible loss of load.
4. Centre load on saddle
5. This jack is not to be used to simultaneously support both ends of a vehicle.
6. Support only on the areas of a vehicle as specified by the vehicle manufacturer.
7. Only use attachments and/or adaptors supplied by the manufacturer.
8. Use wheel chocks and/or other blocking device on opposing wheels before using this air jack/support stand.
9. Do not use if damaged in any way.
10. Failure to heed all warnings contained in this manual may result in personal injury and/or property damage.

ASSEMBLY, OPERATION, STORAGE

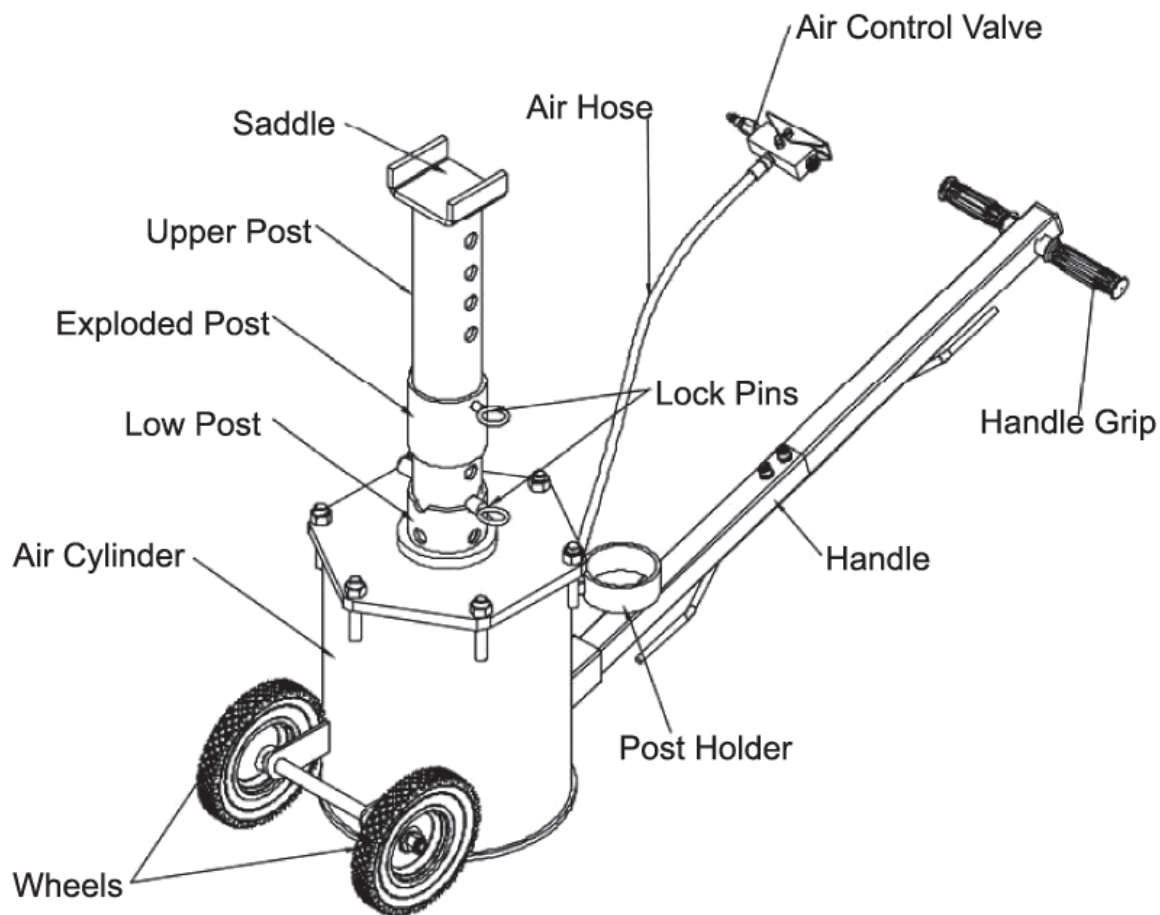
1. FEATURES & MODELS

The **BORUM Industrial** AIR JACK/SUPPORT STAND 10,000KG is a reinforced pin style jack and stand with industrial quality design and support bracing system to sustain heavy loads up to 10,000kg. Adjusts to match the job with a 536mm minimum height, 292mm of hydraulic lift and up to 1298mm maximum height using the extension tube!! Featuring Heavy-Duty Industrial design, this tough air jack/support stand is ideal for truck, bus, farm, earthmoving equipment and fleet vehicle maintenance workshop use.

2. ASSEMBLY INSTRUCTIONS

Before beginning assembly of product, make sure all parts are present. Compare parts with package contents list and diagram below. If any part is missing or damaged, do not attempt to assemble, install or operate the product. Contact your place of purchase.

- a. Assemble parts 21 (handle A) and 22 (handle B) with parts 18, 19 and 20.
- b. Attach handle to the handle bracket on the cylinder with screw 23, lock washer 28 and washer 29.



3. BEFORE USE

1. Make initial inspection of air jack/support stand before each use. DO NOT use if components are bent, broken or cracked. Ensure all parts move freely.
2. Verify that the product and the application are compatible.
3. Before using this product, thoroughly read this owner's manual and familiarise yourself with the product and the hazards associated with improper use.
4. Always check the vehicle owners or service manual for location of proper lift and support points.

4. OPERATION

Lifting Load



WARNING: Only attachments and/or adaptors supplied by the manufacturer shall be used.

WARNING: Do not connect two jacks to one control valve. Operating the jacks in this way can cause loss of control during raising and lowering.

1. Follow the vehicle manufacturer's recommended guidelines for lifting.
2. Position vehicle on hard level surface with parking brake engaged. Chock the wheel at the opposite end. When lifting trailers, lower the landing gear.

Training -Read this manual before use. Do not allow anyone who has not read this manual, and/or does not understand the requirements, use the equipment.

Spectators -Do not allow bystanders around this Borum Air Jack/Support Stand or under the load supported only by this Borum Air Jack/Support Stand. Do not allow anyone in the vehicle whilst this Air Jack/Support Stand is in use. Keep all bystanders away from vehicle when in use.



WARNING: Do not attempt to raise a partially filled tanker or transport containing an unrestrained load. A sudden load shift can occur causing dangerous tilting or toppling of the vehicle.

3. Position the unit under the lift point of the vehicle such that the load will be centered on the lifting saddle.
4. Extend post to desired height and insert locking pin through appropriate hold. If necessary, use post extension for addition height. Post extension slides inside post and is held in place with safety pin (ref. parts drawing).
5. Connect air compressor hose to control valve, then attach to air supply of 200psi maximum. The unit is now ready to lift.
6. Press the air control valve lever marked "UP" to raise the post until it contacts the vehicle lift point. Ensure the lift point is secure and centered on the lift post saddle.
7. Press and hold the air control valve until desired height has been achieved, insert the other lock pin through the hole in the ram post such that the lock pin will fully engage both sides of the head plate when lowered.
8. Slowly release air pressure and make sure the lock pin engages fully into both sides of the low post slot.
9. Ensure the vehicle is level and stable, then fully discharge air pressure.
10. Before working around the lifted vehicle, ensure the vehicle is level and stable.



WARNING: After lifting, never work on, under or around a load until the post is properly pinned and the air is exhausted. If the air is not exhausted and the jack is not properly pinned, the jack may rise or drop suddenly when a heavy object is removed from or placed on the vehicle.

Lowering Load



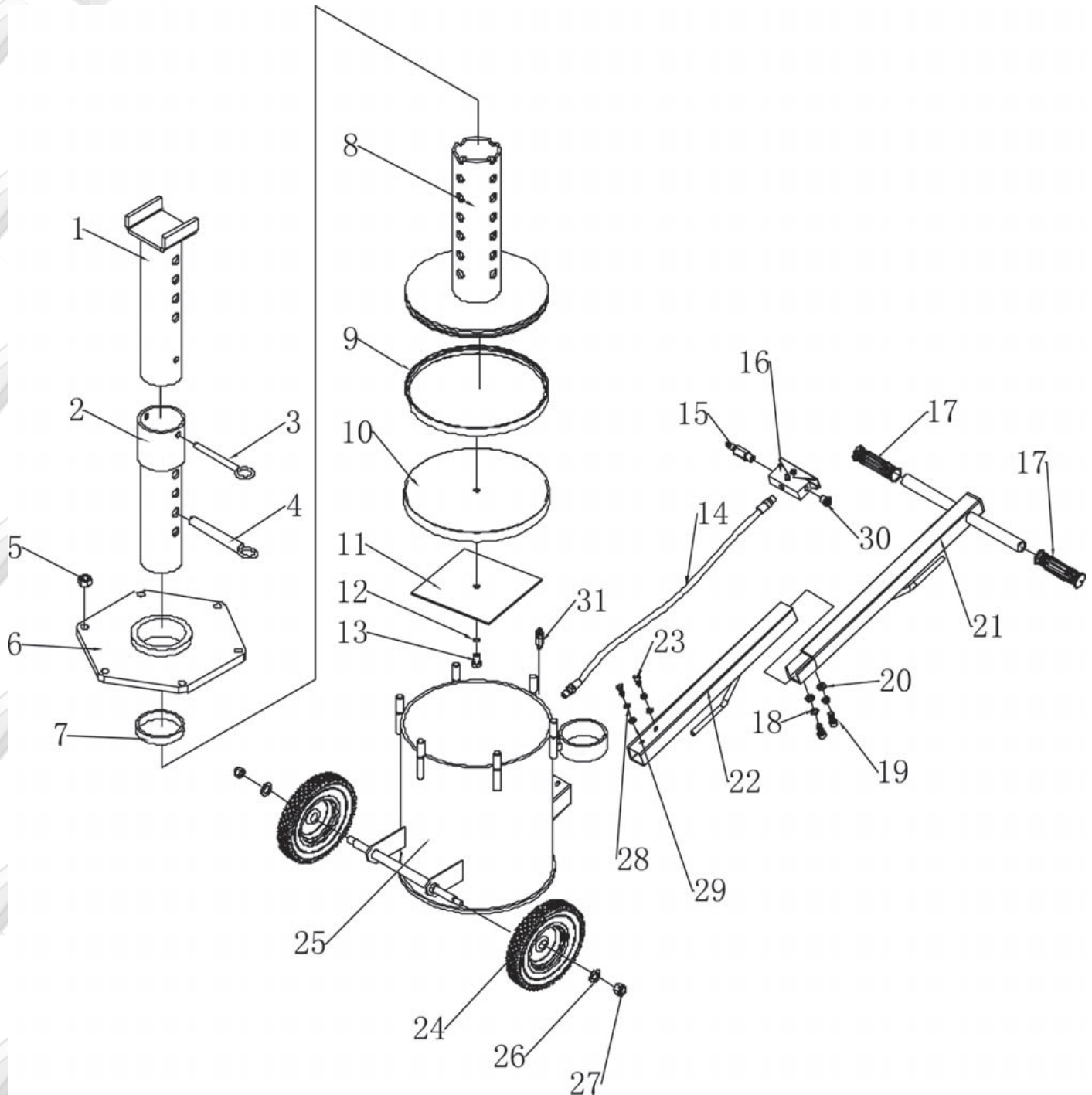
WARNING: Check that all tools and personnel are clear before lowering the load. Maintain control of speed at which the load descends at all times.

1. Press the "UP" air control valve lever to raise the post locking pin away from the cap plate.
2. Ensure the vehicle is still stable, then remove the lift post locking pin.
3. Press the "DOWN" air control valve lever to exhaust air pressure. Vehicle will gradually lower.
4. Discharge the air pressure from the jack fully once the vehicle is on the ground.
5. Ensure the saddle is fully lowered, remove the jack from under the vehicle and store properly.

5. STORAGE

When the jack is not in use, tip it forward until it rests on the wheels and use extra support to hold the jack as shown in Figure 3 (refer page 8). This allows trapped water to drain from inside the cylinder.

PARTS DIAGRAM & PARTS LIST



NOTE: Not all components of the Air Jack/Support Stands are replacement items but are illustrated as a convenient reference of location and position in the assembly sequence.

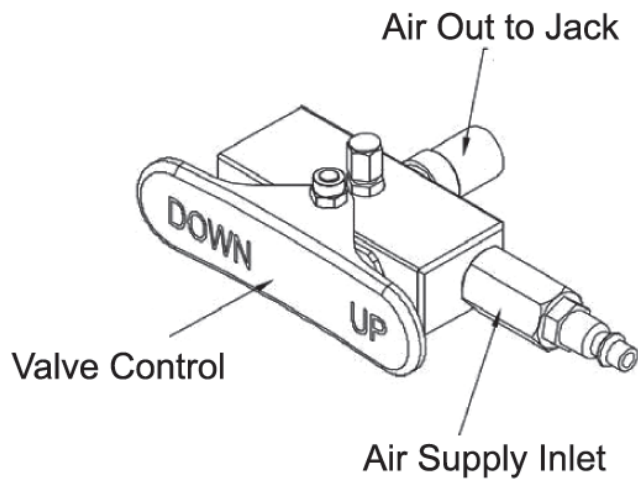


Figure 2 - Air Valve

ITEM #	DESCRIPTION	QUANTITY
01	SADDLE	1
02	EXTENSION TUBE	1
03	LOCK PIN	1
04	LOCK PIN	2
05	NUT	6
06	COVER PLATE	1
07	SUPPORT RING	1
08	PISTON	1
09	SEAL KIT	1
10	SEAL KIT	1
11	PLATE	1
12	SEAL KIT	1
13	BOLT	1
14	AIR HOSE	1
15	AIR HOSE FITTING	1
16	AIR VALVE	1
17	HANDLE GRIP	2
18	LOCK WASHER	2
19	SCREW	2
20	FLAT WASHER	2
21	UPPER HANDLE	1
22	LOWER HANDLE	1
23	SCREW	2
24	WHEEL	2
25	CYLINDER	1
26	FLAT WASHER	2
27	NUT	2
28	LOCK WASHER	2
29	FLAT WASHER	2
30	SILENCER	1
31	SAFETY VALVE	1

TROUBLESHOOTING

Symptom	Possible Causes	Corrective Action
Air Jack will not lift load	Inadequate air supply Overload condition Air line leaks	Ensure adequate air supply Use larger capacity jack Locate and seal leaks
Air Jack will not hold load	Locking pin not engaged	Engage locking pin
Air Jack does not lift smoothly	Cylinder requires lubrication	Apply #630-AAA Lubriplate to cylinder wall (see MAINTENANCE)

MAINTENANCE

The Air Jack/Support Stand is best operated with an in-line oiler. If using the jack without an oiler, complete the following steps before each use, or every hour it is used continuously:

1. Disconnect the jack from the air hose.
2. Apply a few drops of good quality pneumatic tool oil through the air line.

Inspections should be made before each use of the jack, checking for abnormal condition. Regular inspections should be made weekly for daily use and monthly for intermittent use.

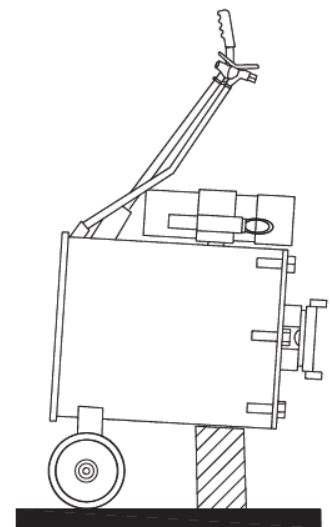


Figure 3

1. Inspect air hose for leaks or kinks. Replace is necessary.
2. Air control valve should operate freely. Wheels should rotate freely.
3. The post should extend and retract smoothly throughout its full range. If the jack does not lift smoothly, remove bolts around cylinder cover, remove cover and lift piston weld assembly until the piston stops. Tilt the assembly to clear the piston stops. Clean and lubricate using #630-AAA Lubriplate.
4. A periodic coating of light lubricating oil to all rotating and sliding portions of the jack will help to prevent rust and assure that the wheels move freely.
5. Lower the saddle to its lowest position when not in use.
6. When the jack is not in use, tip it forward until it rests on the wheel and use the extra support load the hold the jack as shown in Figure 3. This allows trapped water to drain from inside the cylinder.

WARRANTY

BORUM Industrial products have been carefully tested and inspected before shipment and are guaranteed to be free from defective materials and workmanship for a period of 12 months from the date of purchase except where tools are hired out when the guarantee period is ninety days from the date of purchase.

Should this piece of equipment develop any fault, please return the complete tool to your nearest authorised warranty repair agent or contact TQB Brands Pty Ltd Warranty team – warranty@tqbbrands.com.au.

If upon inspection it is found that the fault occurring is due to defective materials or workmanship, repairs will be carried out free of charge. This guarantee does not apply to normal wear and tear, nor does it cover any damage caused by misuse, careless or unsafe handling, alterations, accident, or repairs attempted or made by any personnel other than the authorised TQB Brands Pty Ltd repair agent.

This guarantee applies in lieu of any other guarantee expressed or implied and variations of its terms are not authorised.

Your TQB Brands Pty Ltd guarantee is not effective unless you can produce upon request a dated receipt or invoice to verify your proof of purchase within the 12month period.

Consumer Guarantee

Our goods come with a guarantee that cannot be excluded under the Australian Consumer Law. You are entitled to a replacement or refund for a major failure and compensation for any other reasonably foreseeable loss or damage. You are also entitled to have the goods repaired or replaced if the goods fail to be of acceptable quality and the failure does not amount to a major failure.



All images and illustrations shown are for reference purposes only. All information, specifications and illustrations in this manual are based on the latest information available at the time of publication and are subject to change without notice. The information in this manual is periodically revised to ensure the latest information is included. Download the latest version of this manual and other related technical documentation from www.tqbbrands.com.au